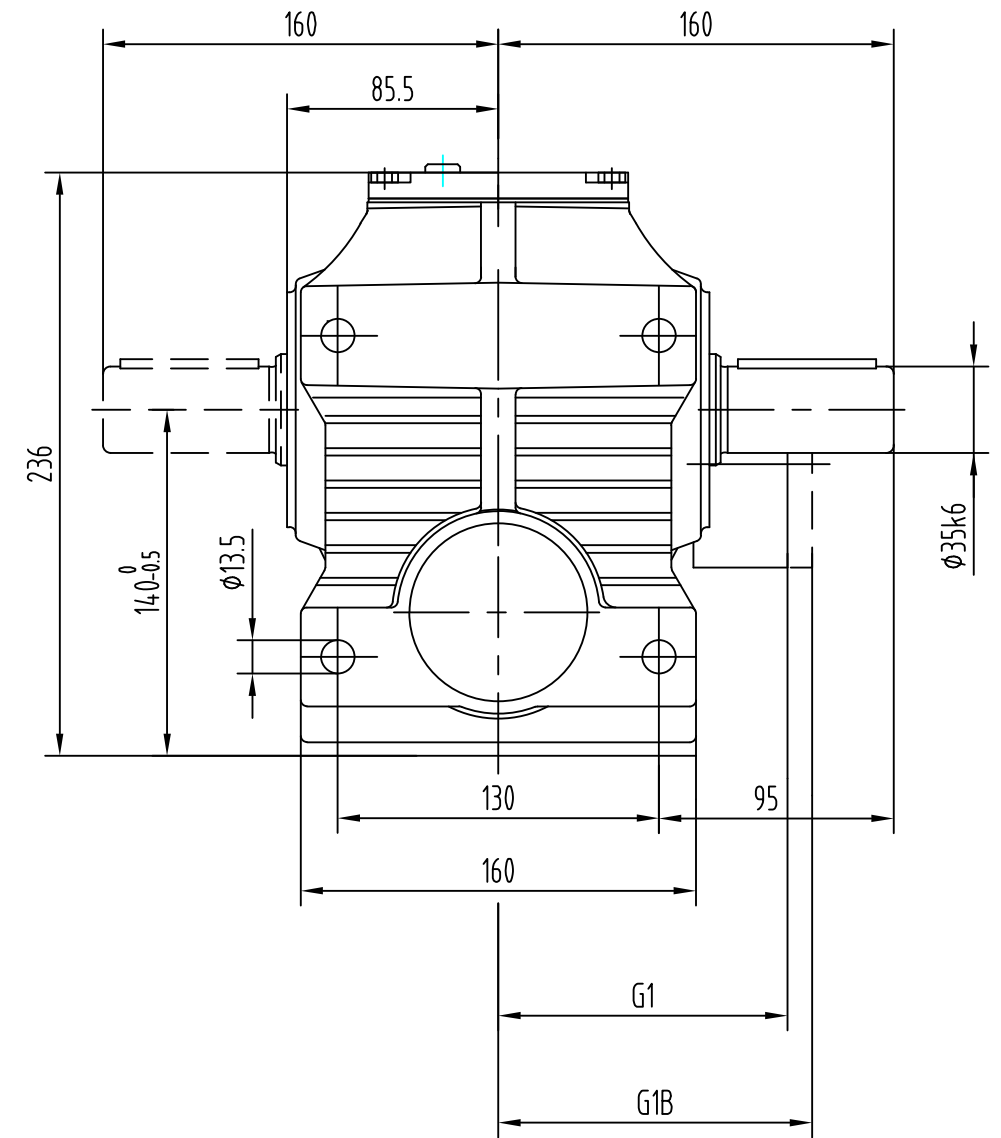
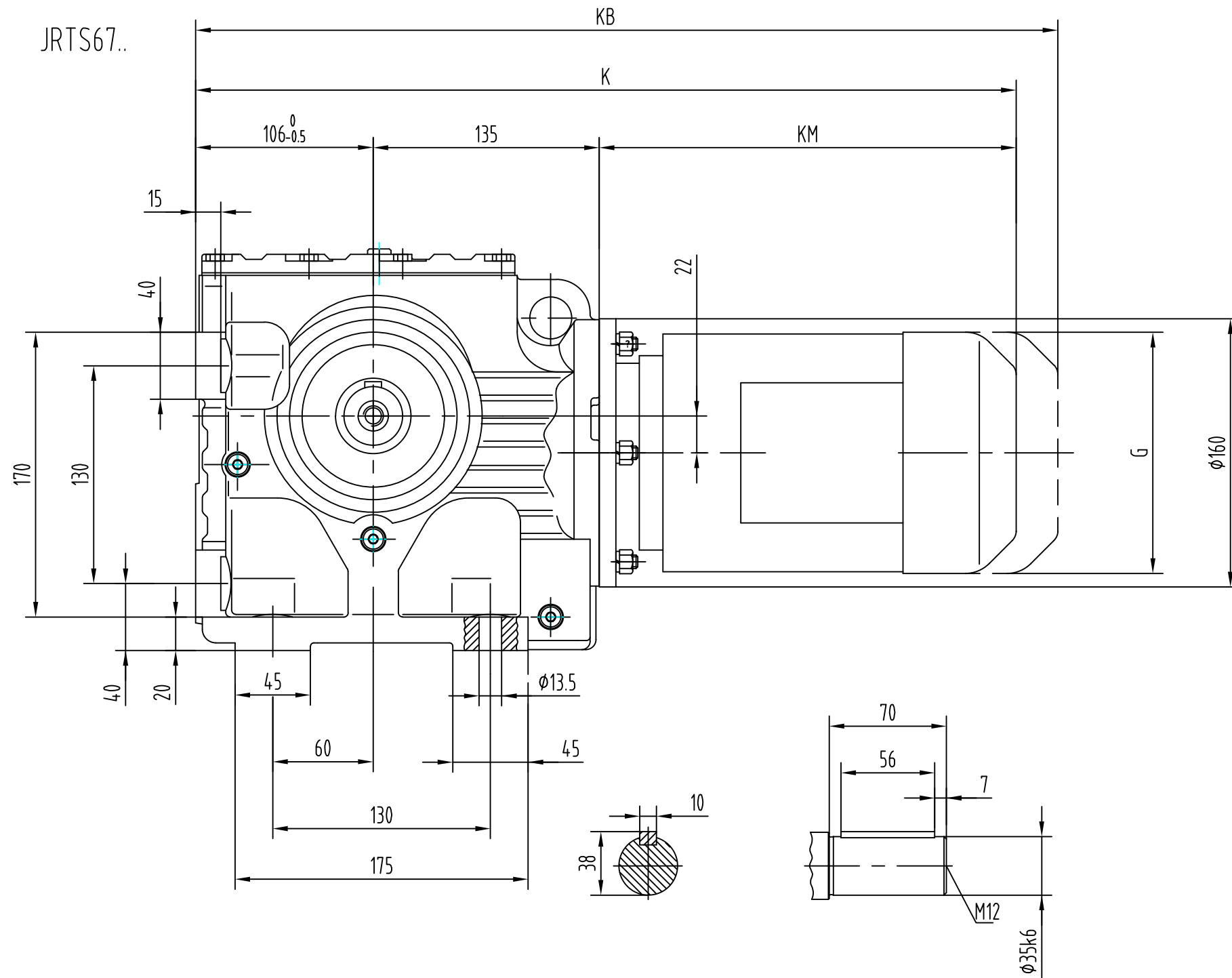


JRTS67..



	DR63..	DT71D	DT80..	DT90..	DV100M	DV100L	DV112M	DV132S	DV132M
G (AC)	120	138	148	169	193.4	193.4	213	255	255
G1 (AD)	95.2	103	108	138.5	131	131	150.5	167.7	167.7
G1B									
K	456.5	474.5	506	549.5	566.5	566.5	623	661	661
KB	504	525	556.5	605.5	648.5	648.5	708.5	754	754
KM (LB)	215.5	233.5	265	308.5	325.5	325.5	382	420	420

Pos.	Amount	Drawing nr.:	Material	Measurements	COPYRIGHT EURONORM, THIS DOCUMENT CONTAINS CONFIDENTIAL AND PROPRIETARY INFORMATION WHICH, UNLESS OTHERWISE EXPRESSLY AGREED TO IN WRITING BY EURONORM, REMAINS THE SOLE PROPERTY OF EURONORM, AND MAY NOT BE DISCLOSED, COPIED, REDISTRIBUTED, RETRANSMITTED, PUBLISHED OR USED TO CREATE DERIVATIVE WORKS. 2013 EURONORM.
			Units:	Drawn by:	
			Scale: 1:3	Sheet:	
			Date:	Revision:	
Projection:	Format:		Title: JRTS67..		