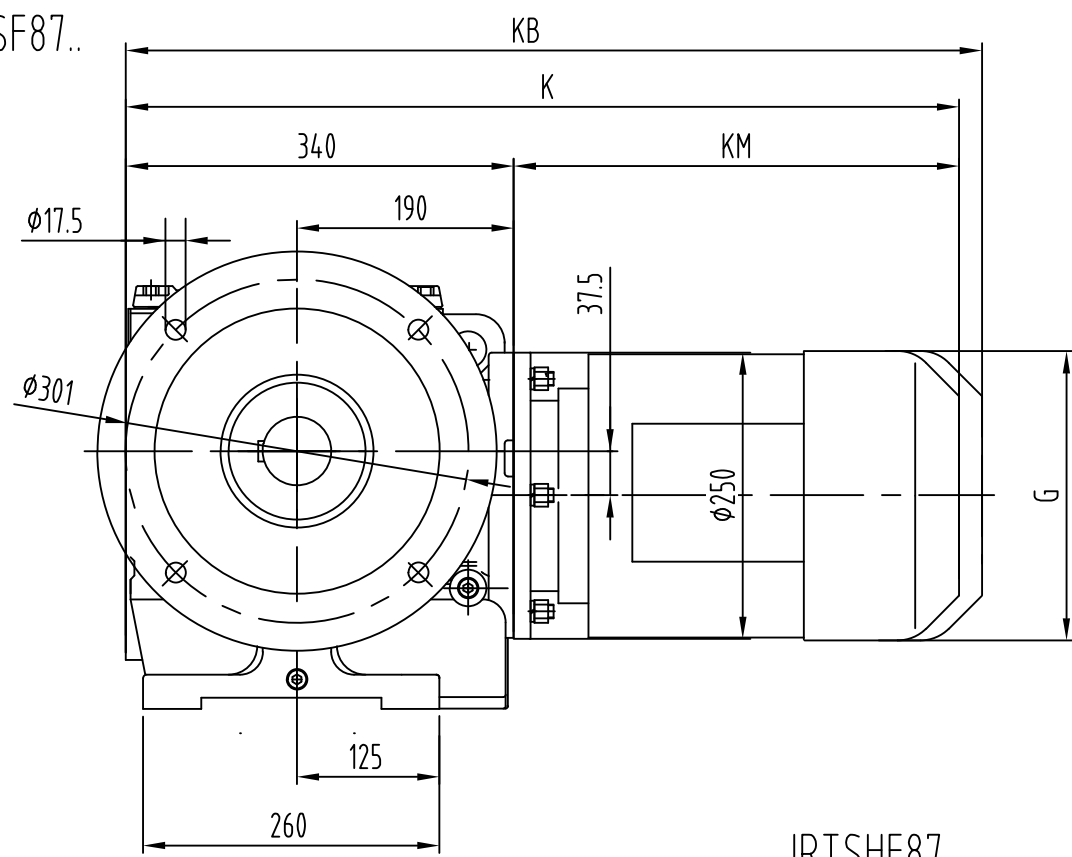
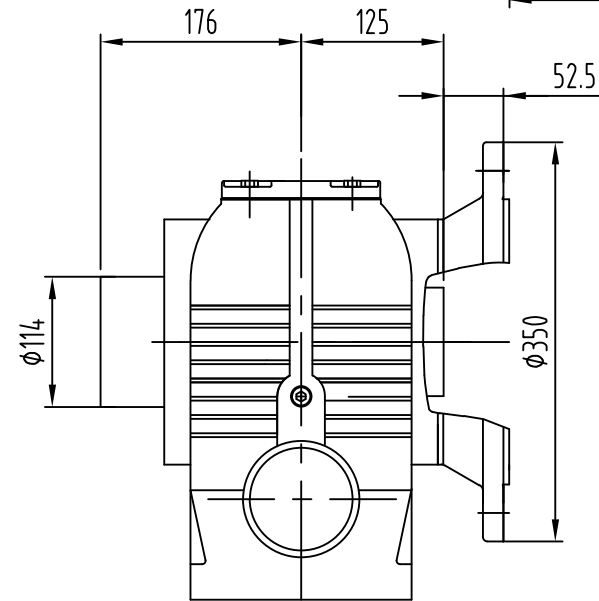


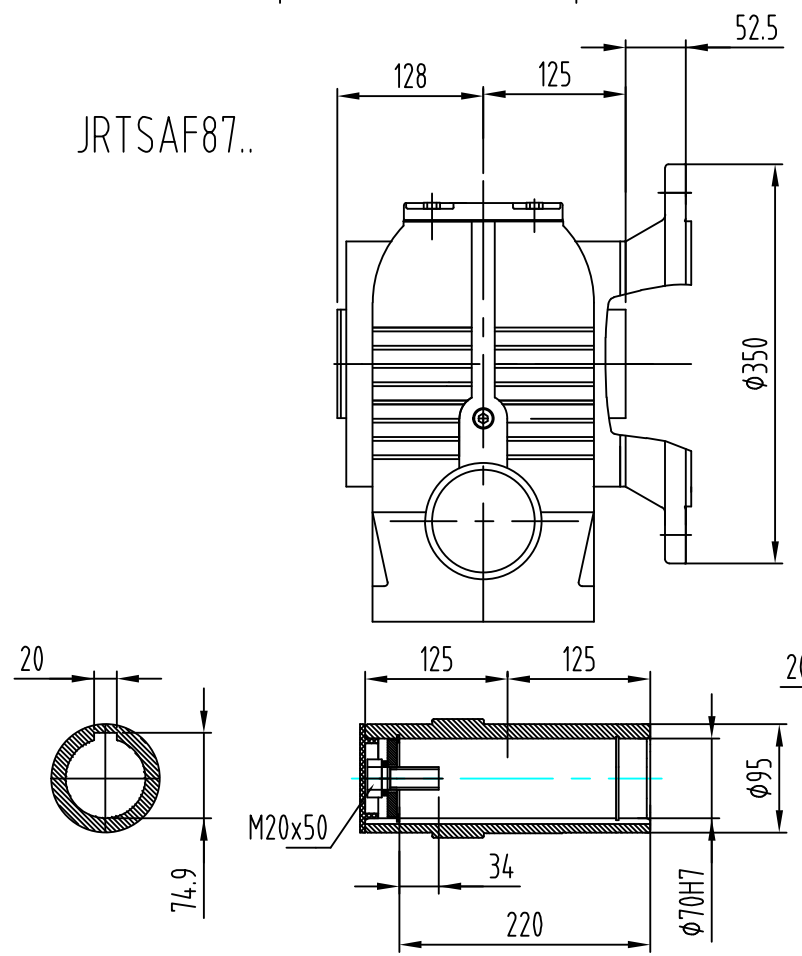
JRTSF87..



JRTSHF87..



JRTSAF87..



	DT80..	DT90..	DV100M	DV100L	DV112M	DV132S	DV132M	DV132ML	DV160M	DV160L
G (AC)	148	169	193.4	193.4	213	255	255	255	330	330
G1 (AD)	108	138.5	131	131	150.5	167.7	167.7	167.7	255	255
G1B										
K	594	636.5	653.5	653.5	708	743	743	743	844	888
KB	644.5	692.5	735.5	735.5	793.5	836	836	836	940	984
KM (LB)	254	296.5	313.5	313.5	368	403	403	403	504	548

Pos.	Amount	Drawing nr.:	Material	Measurements
			Units:	Drawn by:
			Scale: 1:6.5	Sheet:
			Date:	Revision:
Projection:		Format:		Title:
				JRTSF87..

COPYRIGHT EURONORM, THIS DOCUMENT CONTAINS CONFIDENTIAL AND PROPRIETARY INFORMATION WHICH, UNLESS OTHERWISE EXPRESSLY AGREED TO IN WRITING BY EURONORM, REMAINS THE SOLE PROPERTY OF EURONORM, AND MAY NOT BE DISCLOSED, COPIED, REDISTRIBUTED, RETRANSMITTED, PUBLISHED OR USED TO CREATE DERIVATIVE WORKS. 2013 EURONORM.