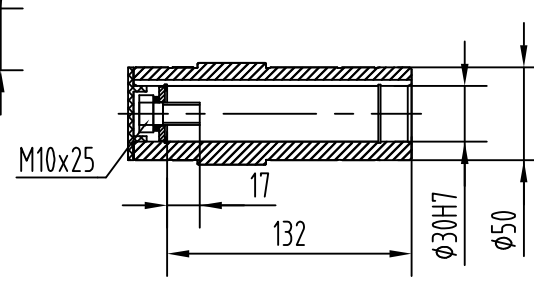
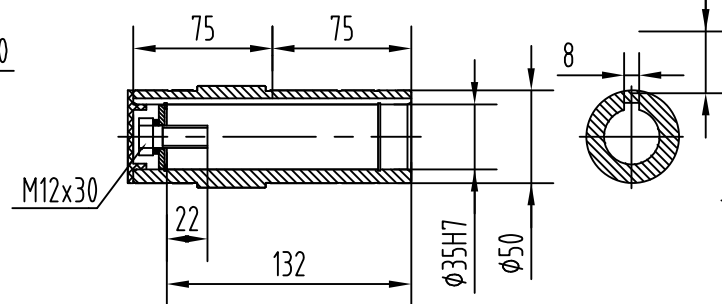
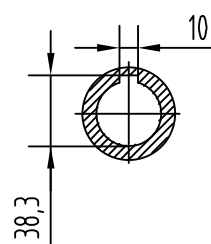
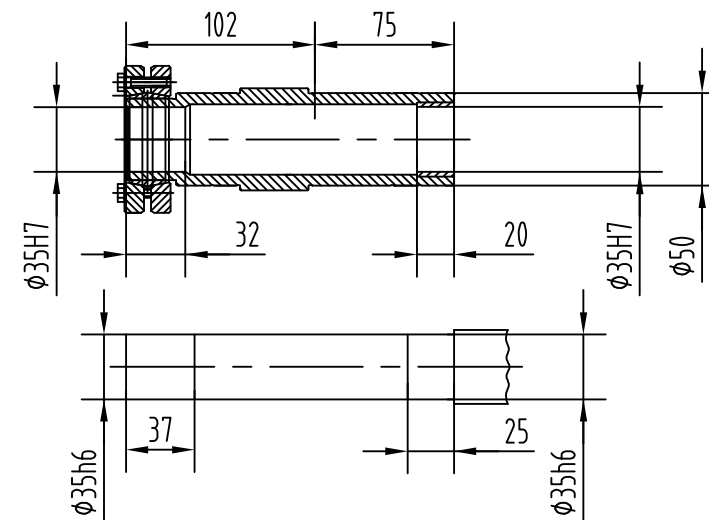
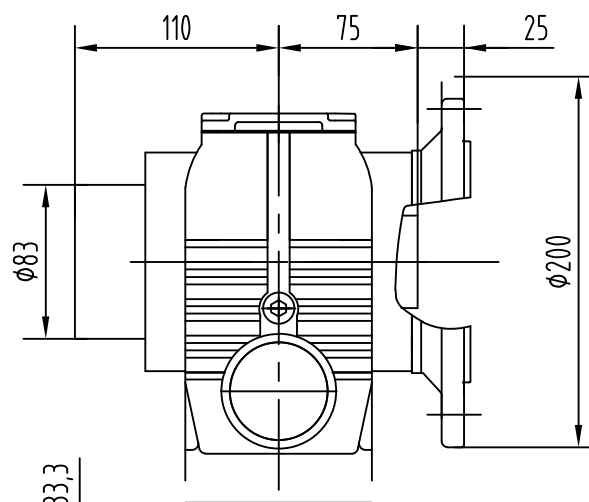
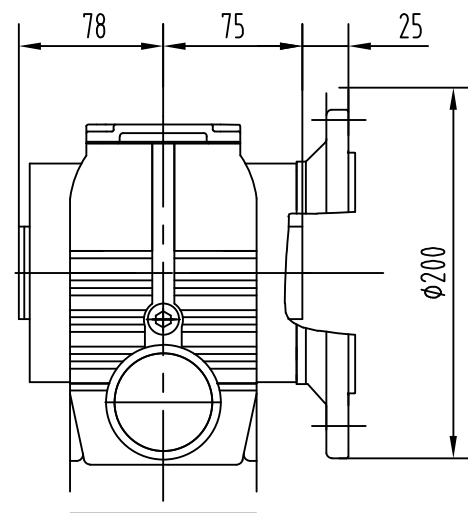


JRTSAF57..

JRTSHF57..



	DR63.	DT70D	DT80L	DT90L	DV100M	DV100L
G (AC)	120	138	148	169	193,4	193,4
G1 (AD)	95,2	103	108	138,5	131	131
G1B						
K	408	426	457,5	501	520,5	520,5
KB	455,5	476,5	508	557	602,5	602,5
KM (LB)	221	239	270,5	314	333,5	333,5

Pos.	Amount	Drawing nr.:	Material	Measurements
			Units:	Drawn by:
			Scale: 1:4	Sheet:
			Date:	Revision:
Projection:		Format:	Title: JRTSF57..	

COPYRIGHT EURONORM, THIS DOCUMENT CONTAINS CONFIDENTIAL AND PROPRIETARY INFORMATION WHICH, UNLESS OTHERWISE EXPRESSLY AGREED TO IN WRITING BY EURONORM, REMAINS THE SOLE PROPERTY OF EURONORM, AND MAY NOT BE DISCLOSED, COPIED, REDISTRIBUTED, RETRANSMITTED, PUBLISHED OR USED TO CREATE DERIVATIVE WORKS. 2013 EURONORM.