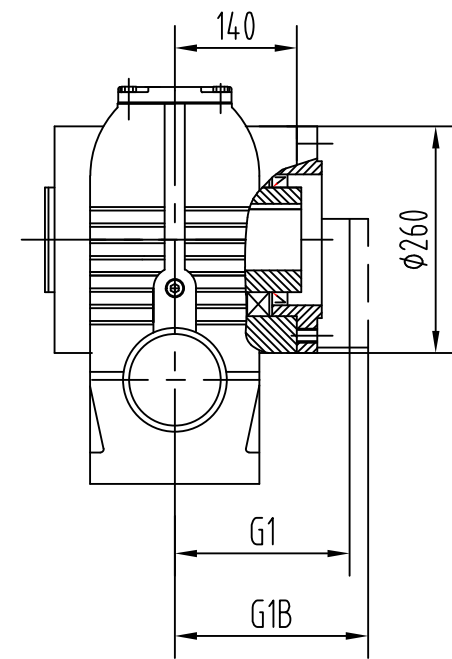
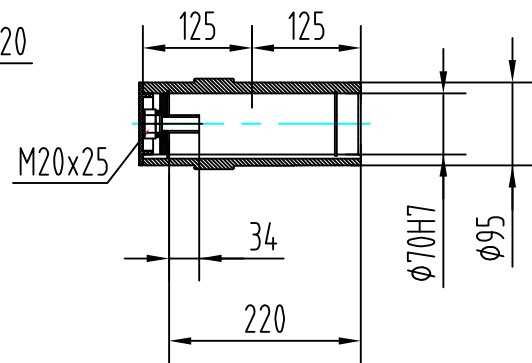
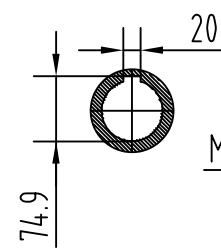
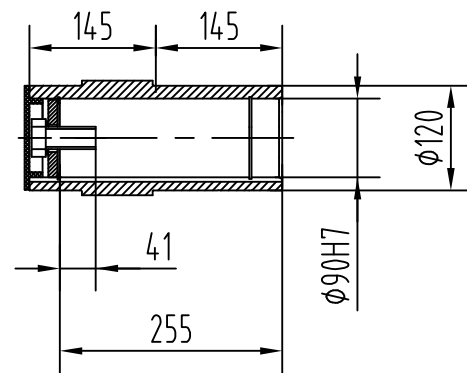
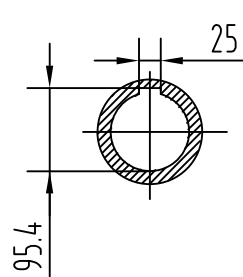
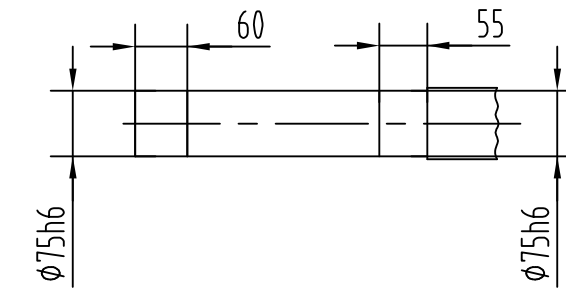
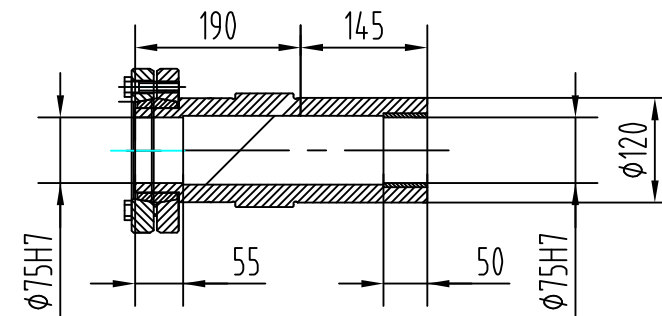
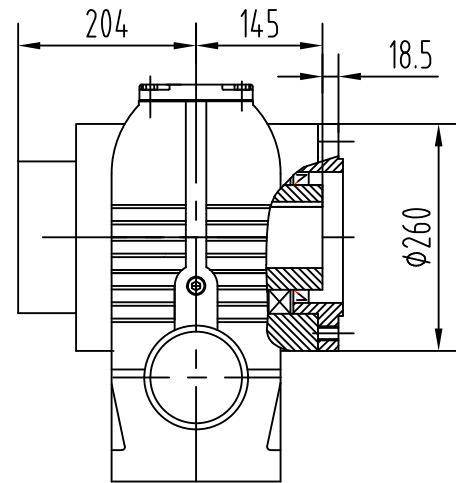
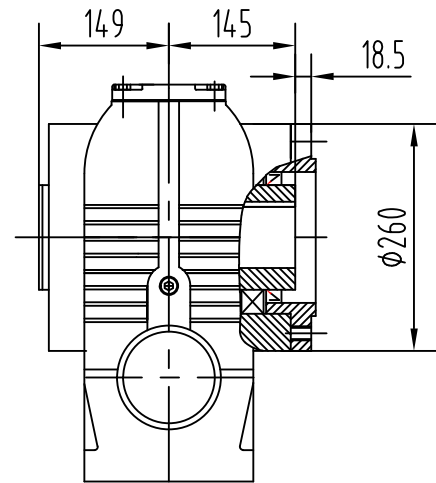
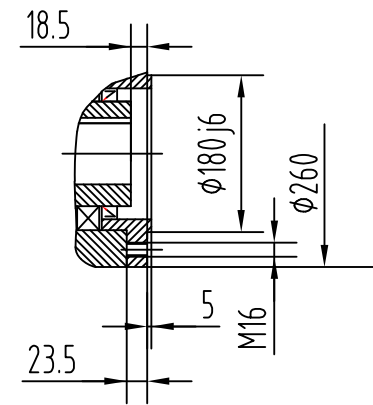


JRTSAZ97..



JRTSHZ97..



	DT80..	DT90..	DV100M	DV100L	DV112M	DV132S	DV132M	DV132ML	DV160M	DV160L
G (AC)			193.4	193.4	213	255	255	255	330	330
G1 (AD)			131	131	150.5	167.7	167.7	167.7	255	255
G1B										
K			727.5	727.5	783	818	818	818	919	963
KB			809.5	809.5	868.5	911	911	911	1015	1059
KM (LB)			307.5	307.5	363	398	398	398	499	543

Pos.	Amount	Drawing nr.:	Material	Measurements
		Units:		Drawn by:
		Scale: 1:8.5		Sheet:
		Date:		Revision:
Projection:		Format:		Title: JRTS97..

COPYRIGHT EURONORM, THIS DOCUMENT CONTAINS CONFIDENTIAL AND PROPRIETARY INFORMATION WHICH, UNLESS OTHERWISE EXPRESSLY AGREED TO IN WRITING BY EURONORM, REMAINS THE SOLE PROPERTY OF EURONORM, AND MAY NOT BE DISCLOSED, COPIED, REDISTRIBUTED, RETRANSMITTED, PUBLISHED OR USED TO CREATE DERIVATIVE WORKS. 2013 EURONORM.