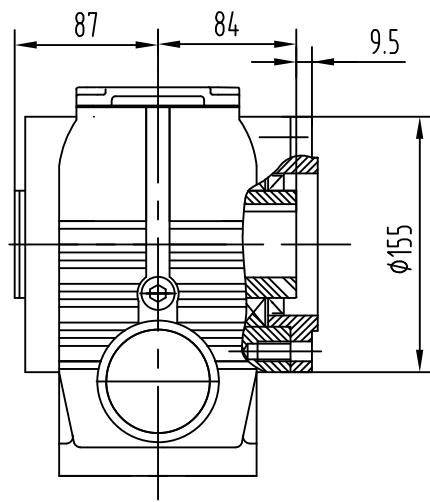
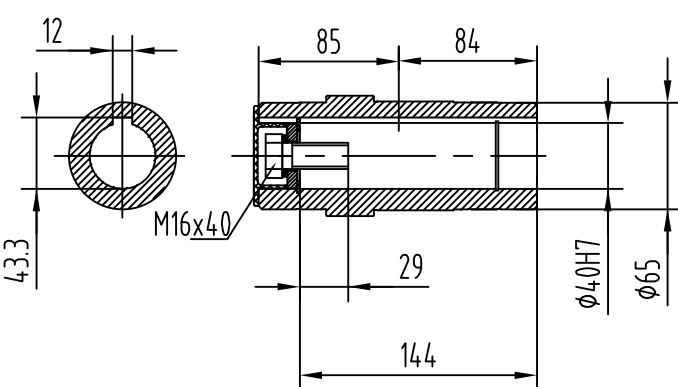
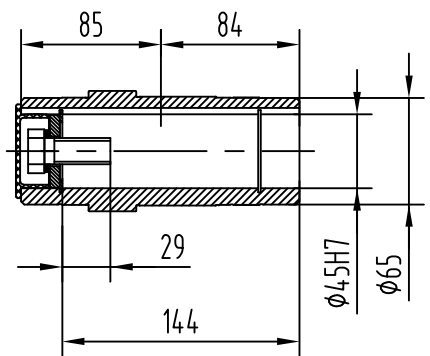
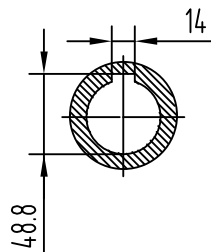
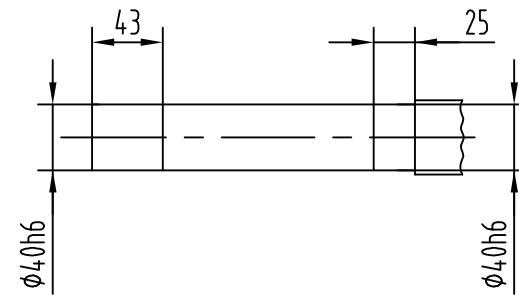
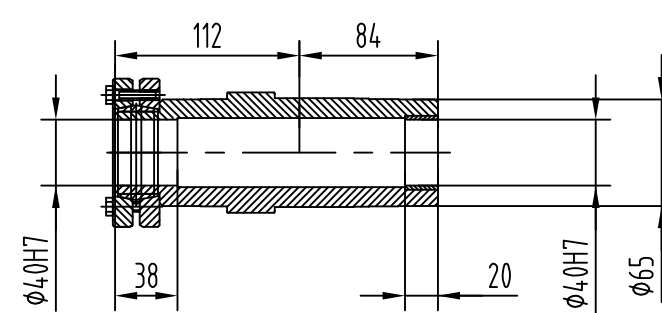
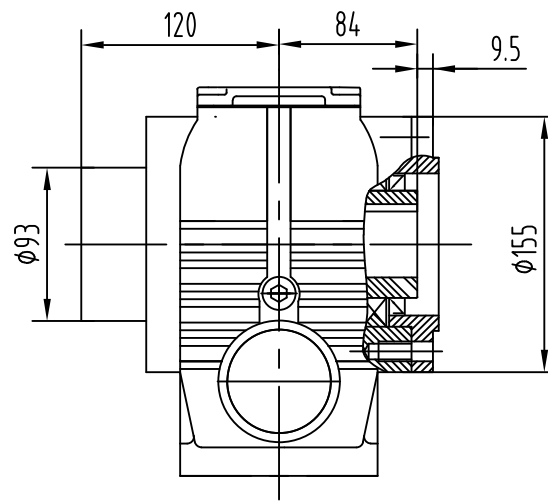


JRTSA67..



JRTSH67..



	DR63..	DT71D	DT80..	DT90..	DV100M	DV100L	DV112M	DV132S	DV132M
G (AC)	120	138	148	169	193.4	193.4	213	255	255
G1 (AD)	95.2	103	108	138.5	131	131	150.5	167.7	167.7
G1B									
K	457.5	475.5	507	550.5	567.5	567.5	624	662	662
KB	505	526	557.5	606.5	649.5	649.5	709.5	755	755
KM (LB)	215.5	233.5	265	308.5	325.5	325.5	382	420	420

Pos.	Amount	Drawing nr.:	Material	Measurements
			Units:	Drawn by:
			Scale: 1:4.5	Sheet:
			Date:	Revision:
Projection:	Format:	Title: JRTS67..		

COPYRIGHT EURONORM, THIS DOCUMENT CONTAINS CONFIDENTIAL AND PROPRIETARY INFORMATION WHICH, UNLESS OTHERWISE EXPRESSLY AGREED TO IN WRITING BY EURONORM, REMAINS THE SOLE PROPERTY OF EURONORM, AND MAY NOT BE DISCLOSED, COPIED, REDISTRIBUTED, RETRANSMITTED, PUBLISHED OR USED TO CREATE DERIVATIVE WORKS. 2013 EURONORM.