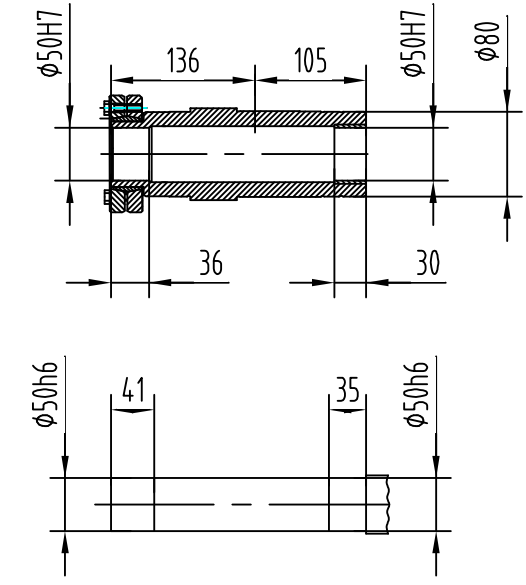
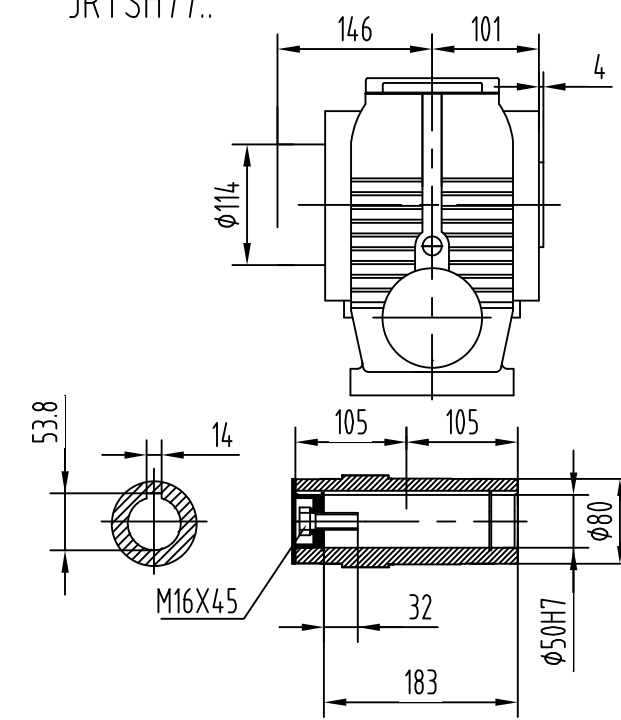
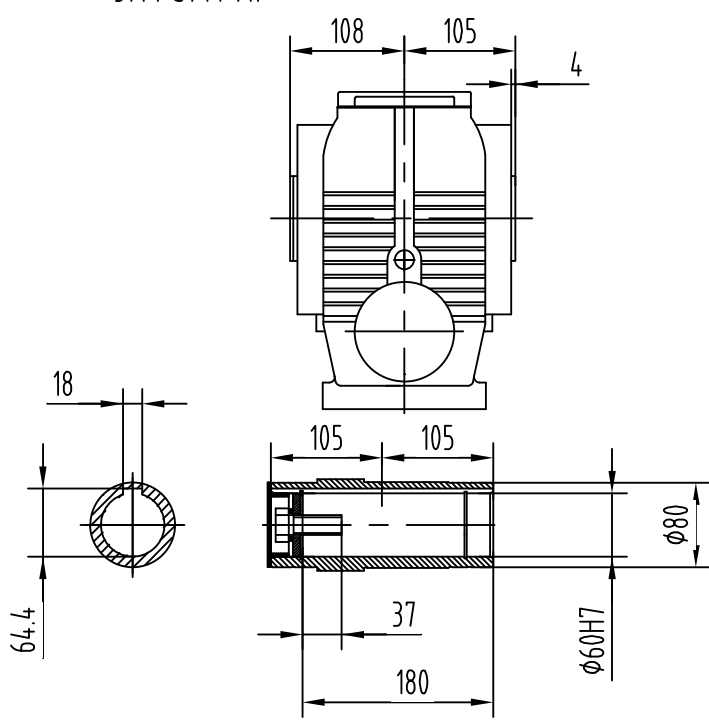


JRTSA77..

JRTSH77..



	DR63..	DT71D	DT80..	DT90..	DV100M	DV100L	DV112M	DV132S	DV132M	DV132ML
G (AC)	120	138	148	169	193.4	193.4	213	255	255	255
G1 (AD)	95.2	103	108	138.5	131	131	150.5	167.7	167.7	167.7
G1B										
K	496.5	514.5	546	587.5	604.5	604.5	660	695	695	695
KB	544	565	596.5	643.5	686.5	686.5	745.5	788	788	788
KM(LB)	209.5	227.5	259	300.5	317.5	317.5	373	408	408	408

Pos.	Amount	Drawing nr.:	Material	Measurements
			Units:	Drawn by:
			Scale: 1:7	Sheet:
			Date:	Revision:
Projection:		Format:	Title: JRTS..77/T..	

COPYRIGHT EURONORM, THIS DOCUMENT CONTAINS CONFIDENTIAL AND PROPRIETARY INFORMATION WHICH, UNLESS OTHERWISE EXPRESSLY AGREED TO IN WRITING BY EURONORM, REMAINS THE SOLE PROPERTY OF EURONORM, AND MAY NOT BE DISCLOSED, COPIED, REDISTRIBUTED, RETRANSMITTED, PUBLISHED OR USED TO CREATE DERIVATIVE WORKS. 2013 EURONORM.