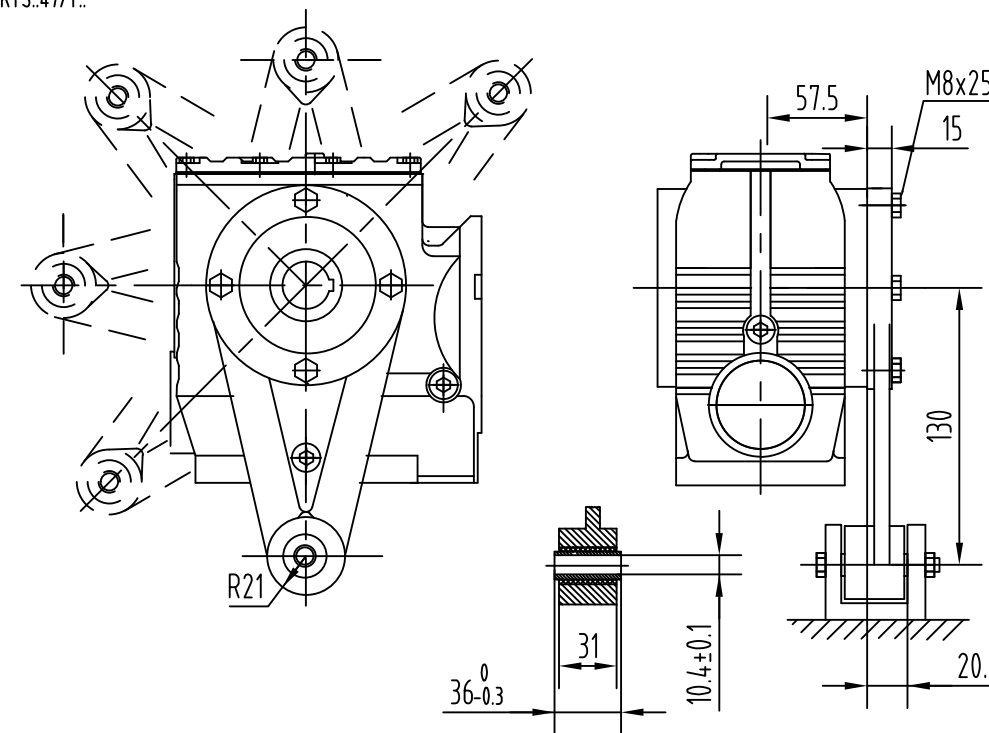
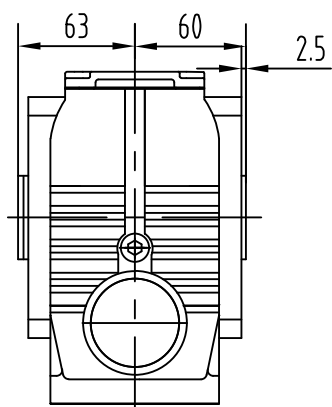


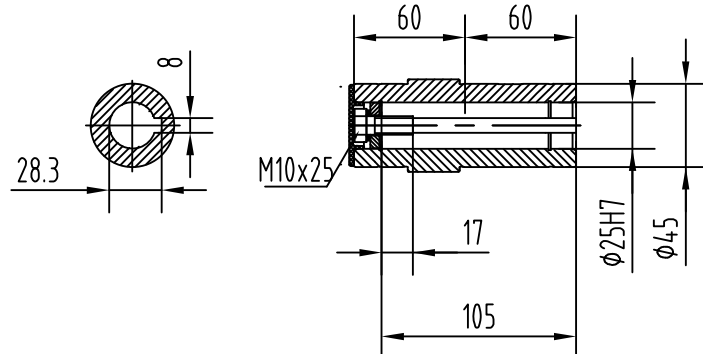
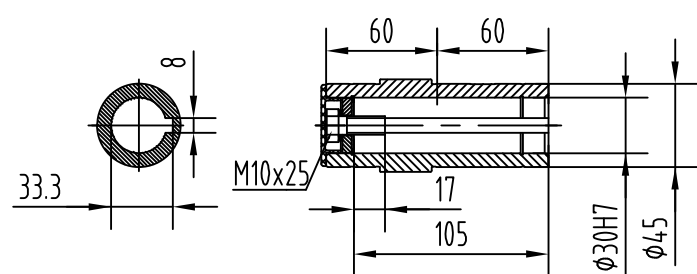
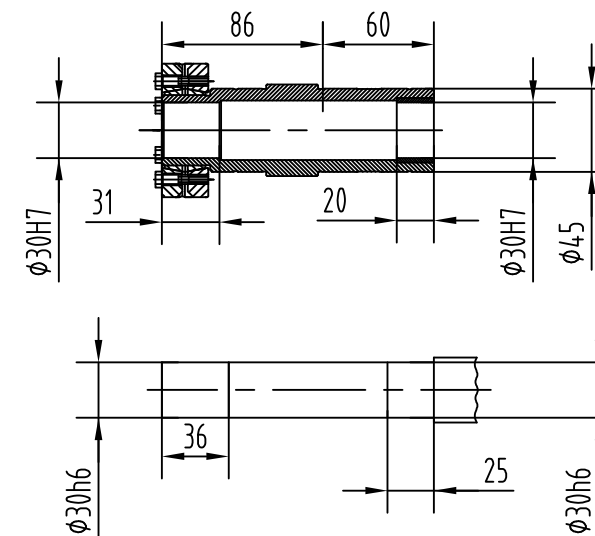
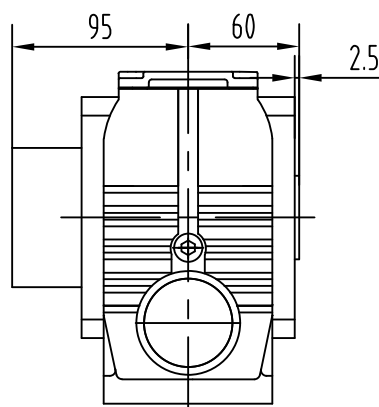
JRTS.47/T..



JRTSA47..



JRTSH47..



	DR63	DT71D	DT80	DT90				
G (AC)	120	138	148	169				
G1 (AD)	95.2	103	108	138.5				
G1B								
K	392	410	441.5	485				
KB	439.5	460.5	492	541				
KM (LB)	221	239	270.5	314				

Pos.	Amount	Drawing nr.:	Material	Measurements	COPYRIGHT EURONORM, THIS DOCUMENT CONTAINS CONFIDENTIAL AND PROPRIETARY INFORMATION WHICH, UNLESS OTHERWISE EXPRESSLY AGREED TO IN WRITING BY EURONORM, REMAINS THE SOLE PROPERTY OF EURONORM, AND MAY NOT BE DISCLOSED, COPIED, REDISTRIBUTED, RETRANSMITTED, PUBLISHED OR USED TO CREATE DERIVATIVE WORKS. 2013 EURONORM.
Units:			Drawn by:		
Scale: 1:4			Sheet:		
Date:			Revision:		
Projection:			Format:		
Title: JRTS..47/T..					