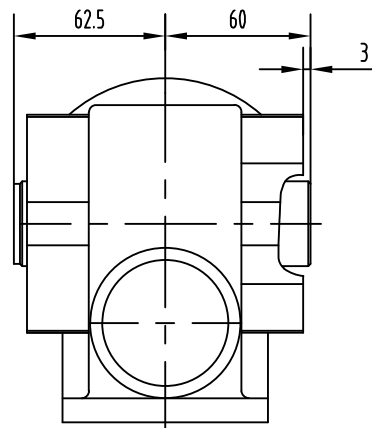
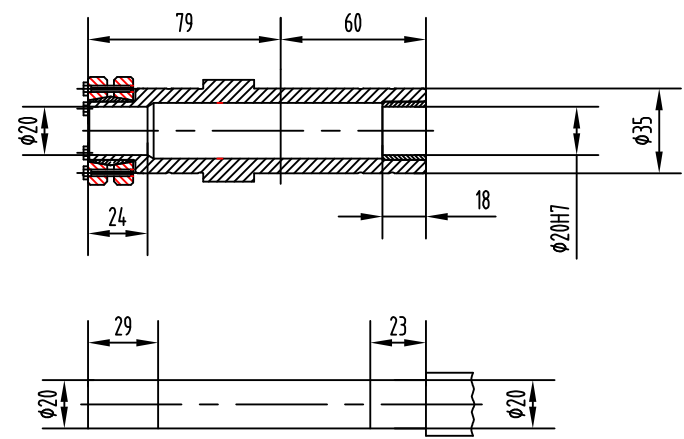
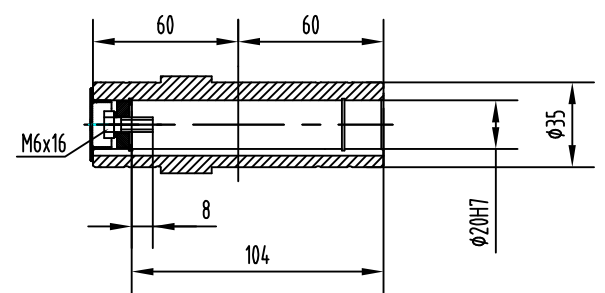
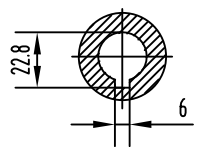
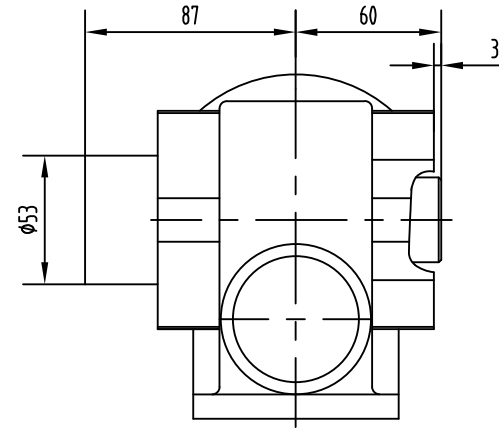


JRTSA37..



JRTSH37..



	DR63..	DT71D	DT80..	DT90..	
G (AC)	120	138	148	169	
G1 (AD)	95.2	103	108	138.5	
G1B					
K	364	382	413.5	457	
KB	411.5	432.5	464	513	
KM (LB)	221	239	270.5	314	

Pos.	Amount	Drawing nr.:	Material	Measurements
			Units:	Drawn by:
			Scale: 1:3	Sheet:
			Date:	Revision:
Projection:	Format:	Title: JRTS..37/T..		

COPYRIGHT EURONORM, THIS DOCUMENT CONTAINS CONFIDENTIAL AND PROPRIETARY INFORMATION WHICH, UNLESS OTHERWISE EXPRESSLY AGREED TO IN WRITING BY EURONORM, REMAINS THE SOLE PROPERTY OF EURONORM, AND MAY NOT BE DISCLOSED, COPIED, REDISTRIBUTED, RETRANSMITTED, PUBLISHED OR USED TO CREATE DERIVATIVE WORKS. 2013 EURONORM.