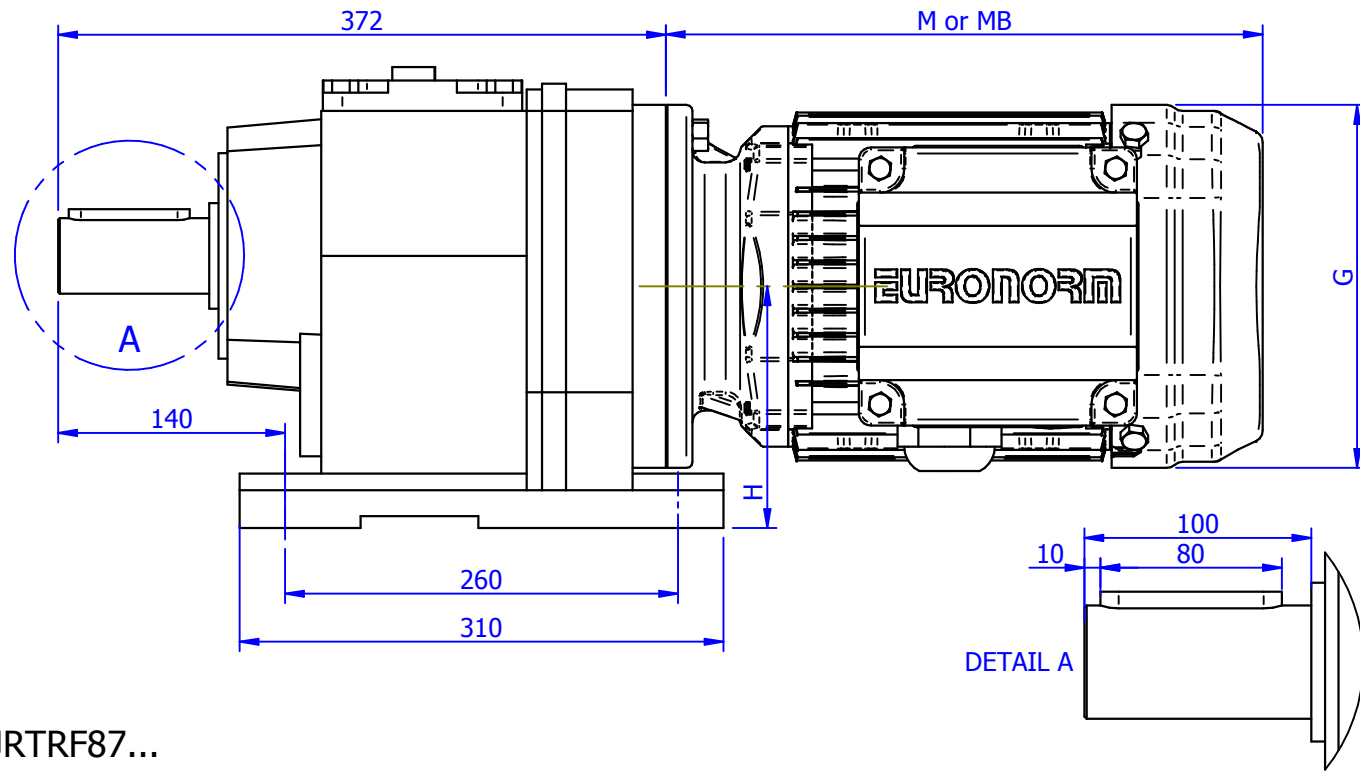
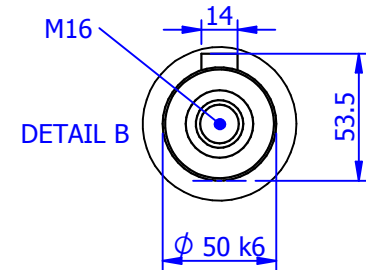
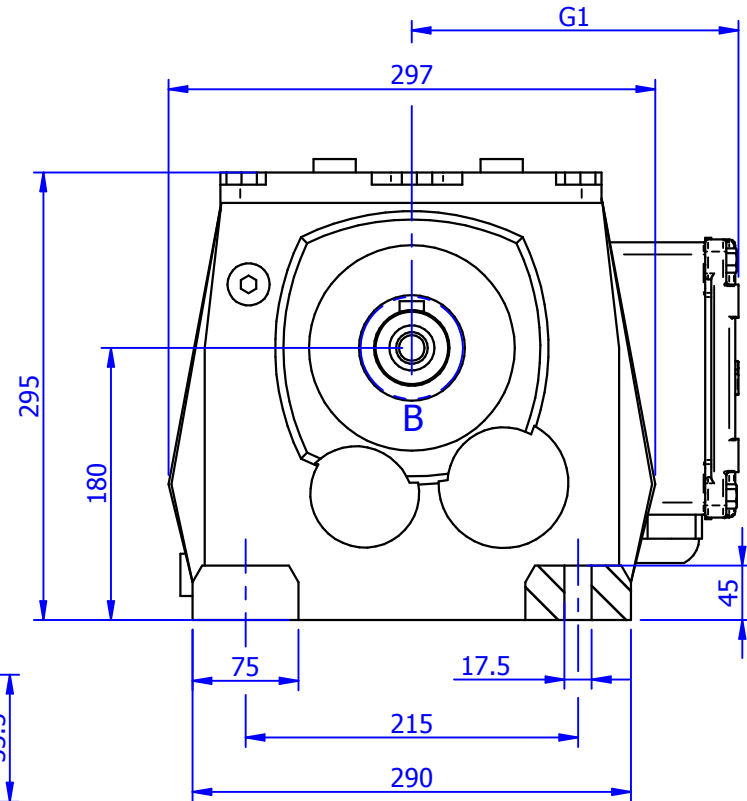


REVISION	DRAWN BY	REVISION DESCRIPTION	DATE	APPROVED ENGINEER
	dmar		29-8-2019	

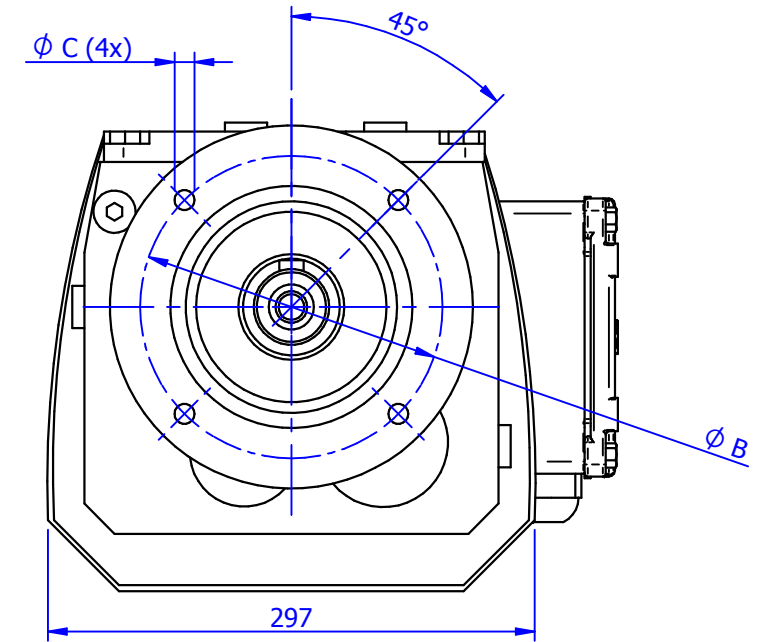
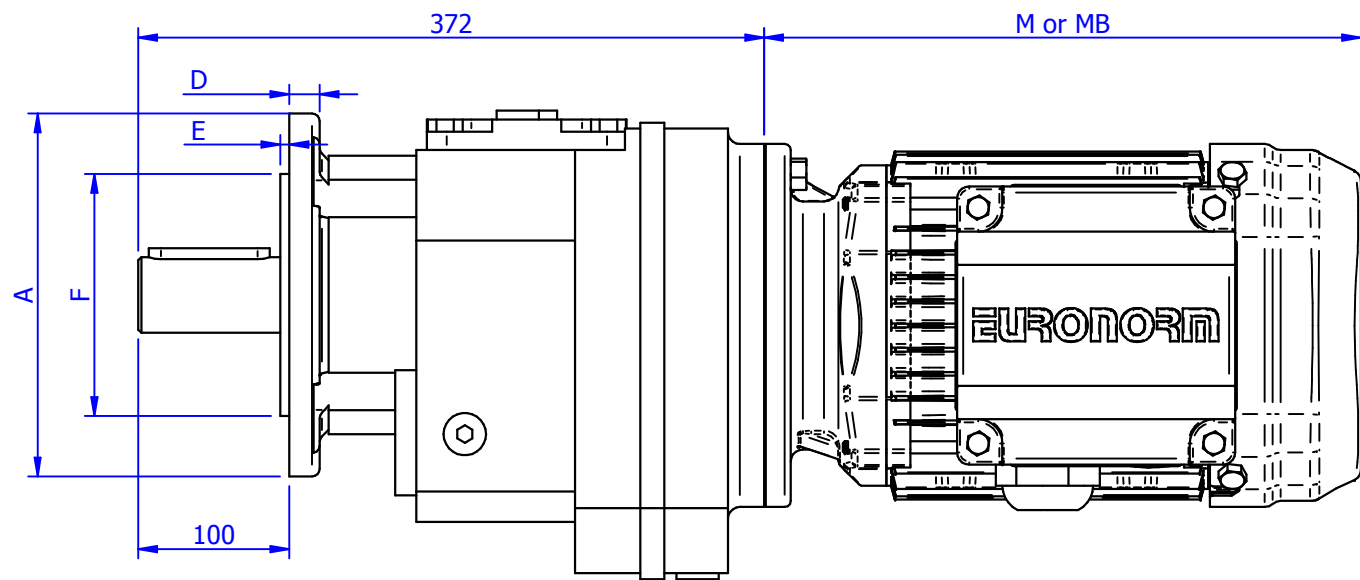
JRTR87...



GENERAL NOTES:



JRTRF87...



IEC size motor	JDS80 S/M	JDS90 M/L	JDS100 M	JDS112 M	JDS132 S/M	JDS160 S/M	JDS180 S/M/L
G	156	177,5	189	221	221	271	355
G1	137	148	156	171	171	228	269
M	303	326	388	437	489	531	690/690/738
MB (brake version)	340	370	430	480	480	-	-

Output flange dimensions	Flange size I	Flange size II	Flange size III
A	x	300	350
B	x	265	300
C	x	13.5	17.5
D	x	16	18
E	x	4	5
F	x	230j6	250h6

QUANTITY:	DRAWING DESCRIPTION			
01	JRTR..87..			
		© EURONORM DRIVE SYSTEMS B.V., THIS DOCUMENT CONTAINS CONFIDENTIAL AND PROPRIETARY INFORMATION WHICH, UNLESS OTHERWISE EXPRESSLY AGREED TO IN WRITING BY EURONORM, REMAINS THE SOLE PROPERTY OF EURONORM, AND MAY NOT BE DISCLOSED, COPIED, REDISTRIBUTED, RETRANSMITTED, PUBLISHED OR USED TO CREATE DERIVATIVE WORKS.		
		PROJECTION:	THIRD PROJECTION	DRAWN BY:
DATE DRAWN:	29-8-2019	Engineering	1:2,5	SIZE: A3
ORDER NUMBER:	-	DRAWING NUMBER:	3	REVISION:
				SHEET: