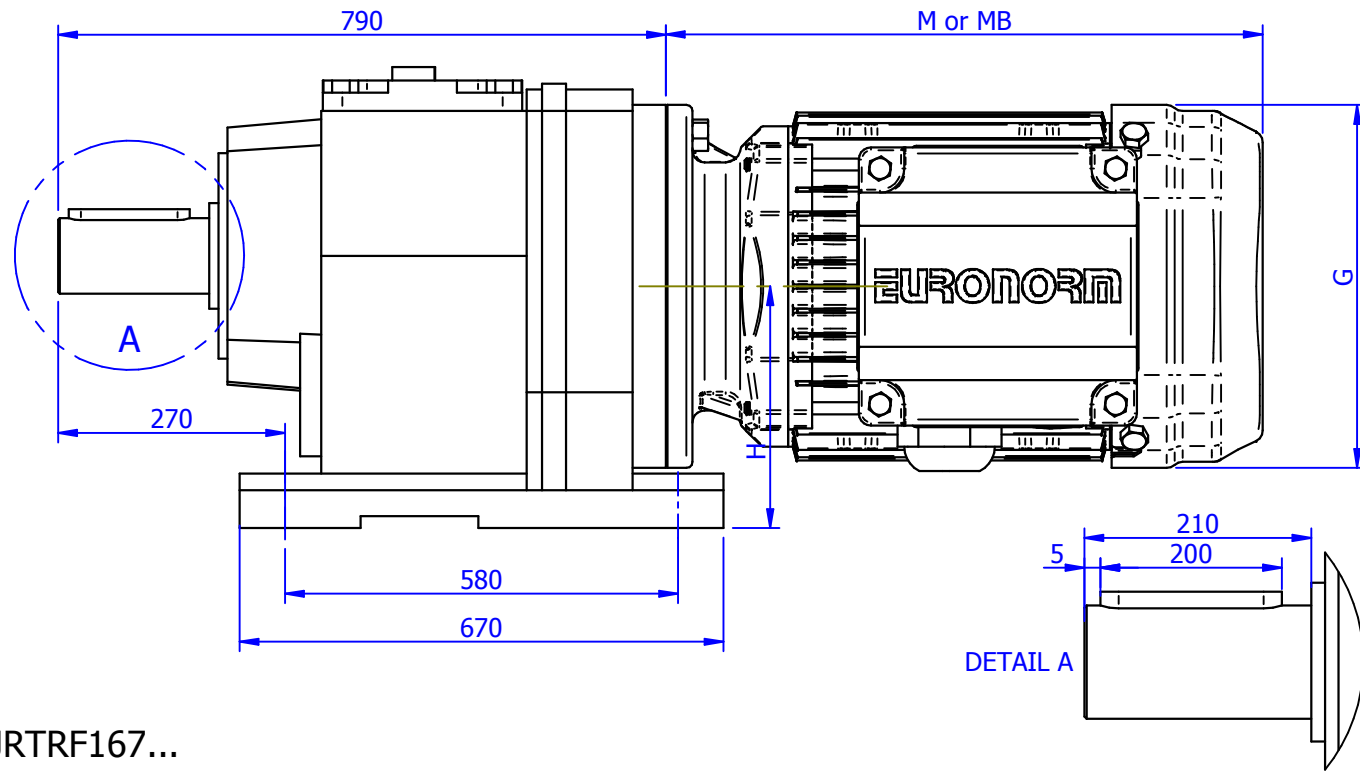
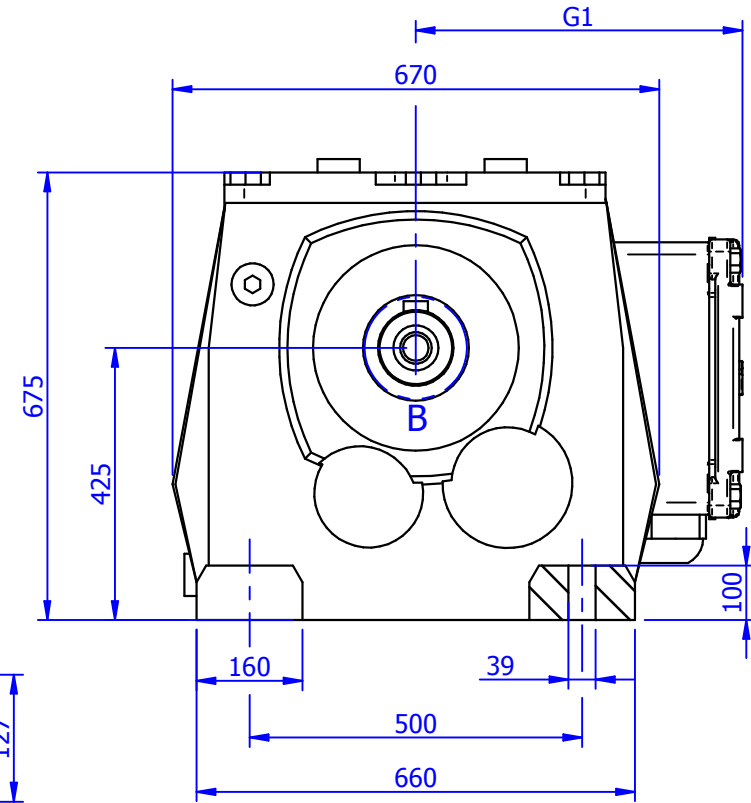


REVISION	DRAWN BY	REVISION DESCRIPTION	DATE	APPROVED ENGINEER
	dmar		29-8-2019	

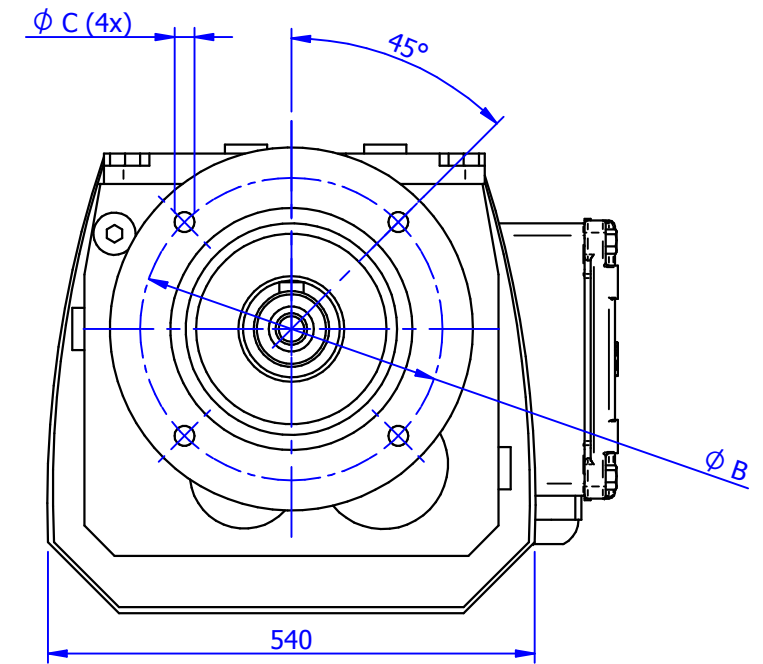
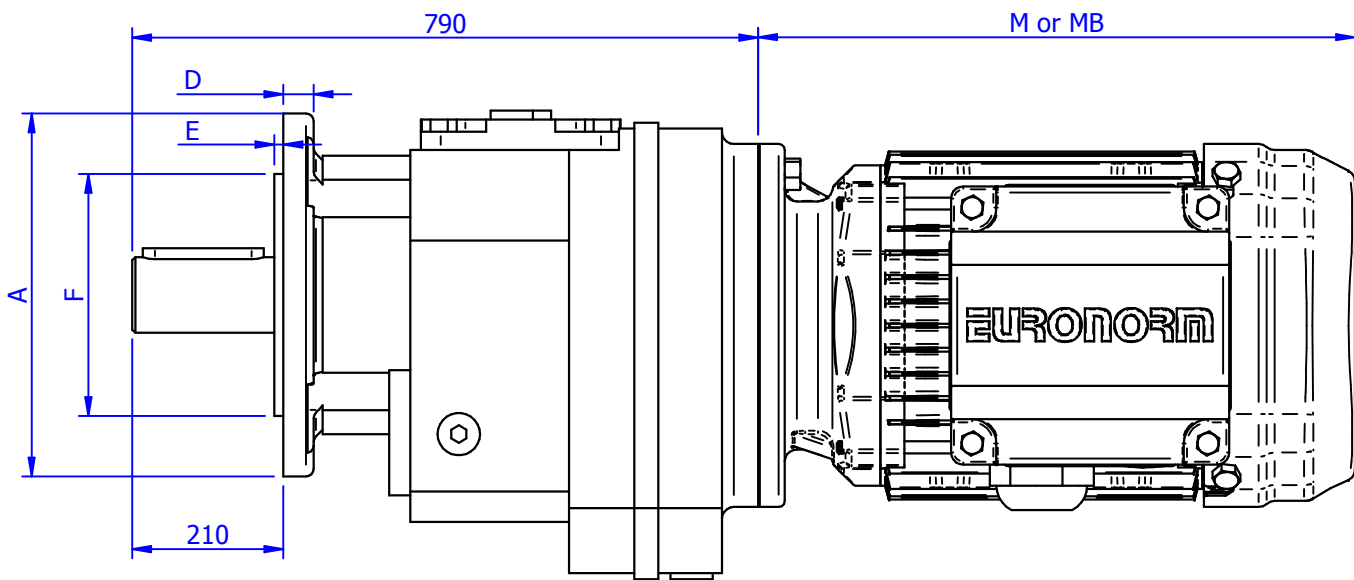
JRTR167...



GENERAL NOTES:



JRTRF167...



Output flange dimensions	Flange size I	Flange size II	Flange size III
A	x	550	660
B	x	500	600
C	x	17.5	22
D	x	25	28
E	x	5	6
F	x	450h6	550h6

IEC size motor	JDS132 S/M	JDS160 S/M	JDS180 S/M/L	JDS200 L	JDS225 S/M
G	221	271	355	397	445
G1	171	228	269	287	312
M	489	531	690/690/738	751	764/789
MB (brake version)	480	-	-	-	-

QUANTITY:	DRAWING DESCRIPTION			
01	JRTR..167..			
		© EURNORM DRIVE SYSTEMS B.V., THIS DOCUMENT CONTAINS CONFIDENTIAL AND PROPRIETARY INFORMATION WHICH, UNLESS OTHERWISE EXPRESSLY AGREED TO IN WRITING BY EURNORM, REMAINS THE SOLE PROPERTY OF EURNORM, AND MAY NOT BE DISCLOSED, COPIED, REDISTRIBUTED, RETRANSMITTED, PUBLISHED OR USED TO CREATE DERIVATIVE WORKS.		
		PROJECTION:	THIRD PROJECTION	DRAWN BY:
DATE DRAWN:	29-8-2019	Engineering	1:2,5	SIZE: A3
ORDER NUMBER:	-	DRAWING NUMBER:	3	REVISION:
				SHEET: