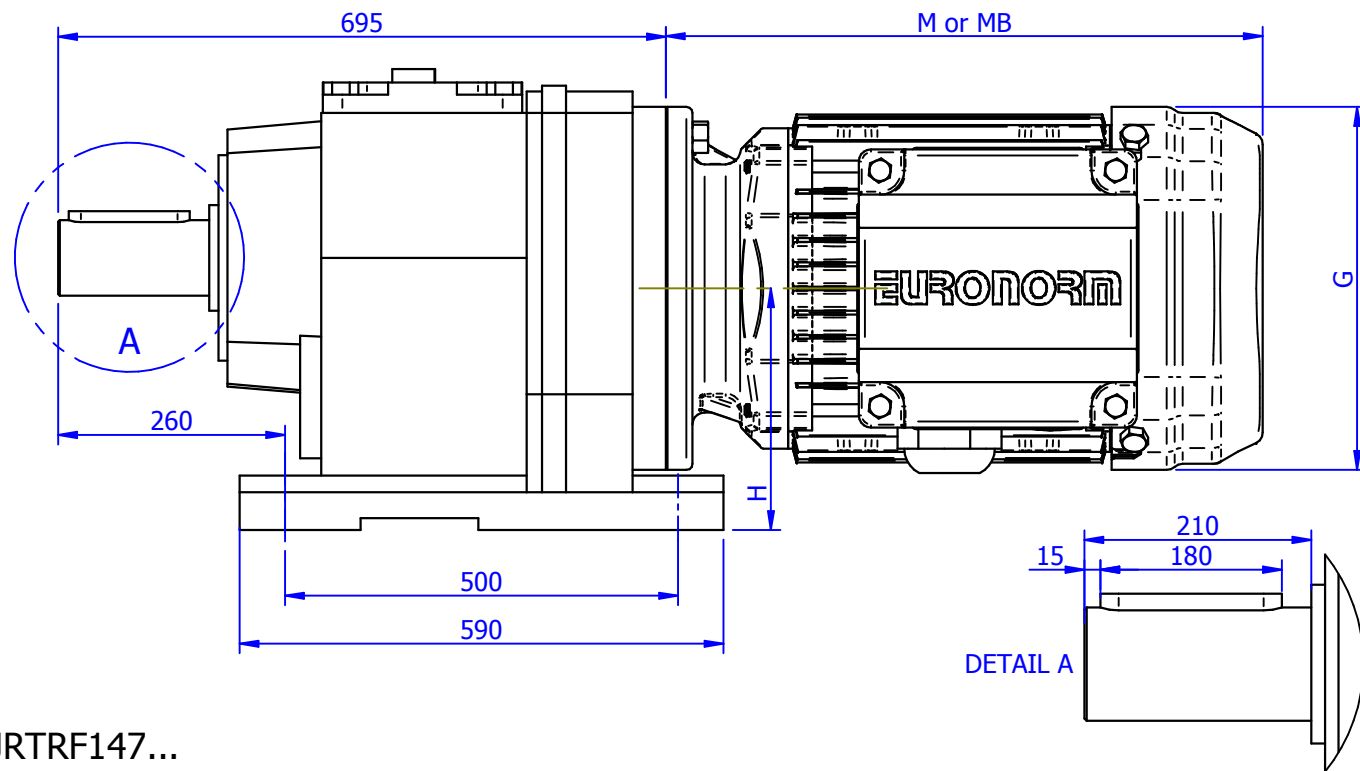
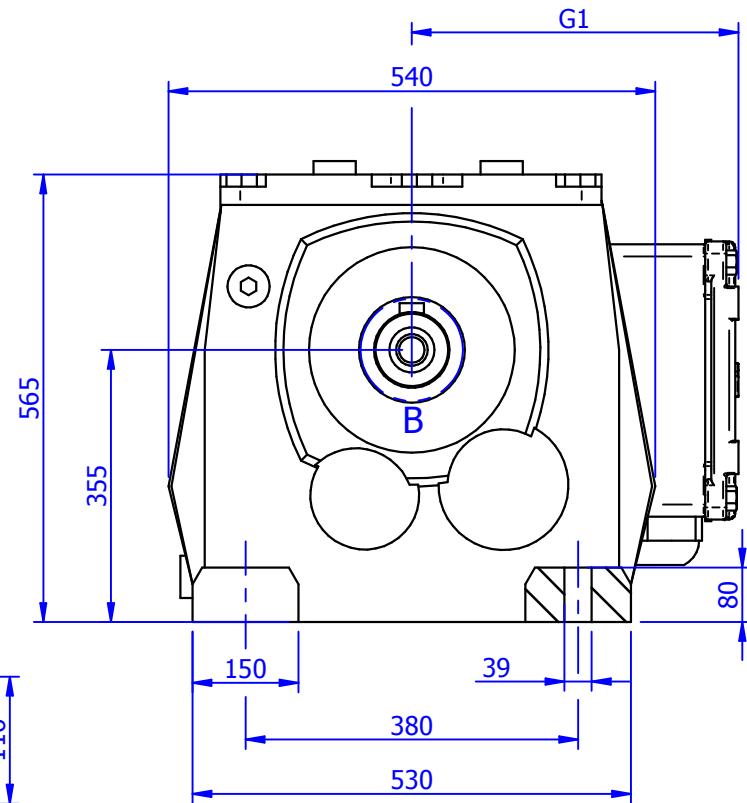


REVISION	DRAWN BY	REVISION DESCRIPTION	DATE	APPROVED ENGINEER
	dmar		29-8-2019	

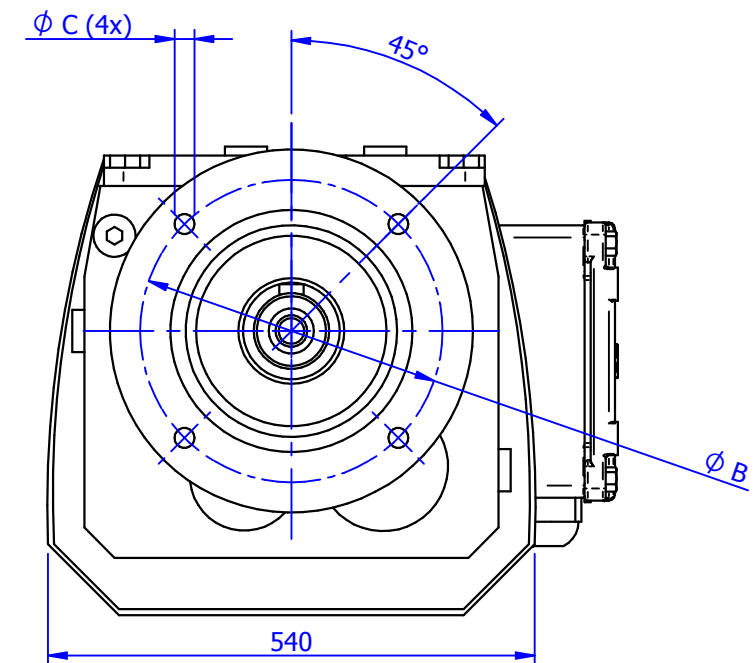
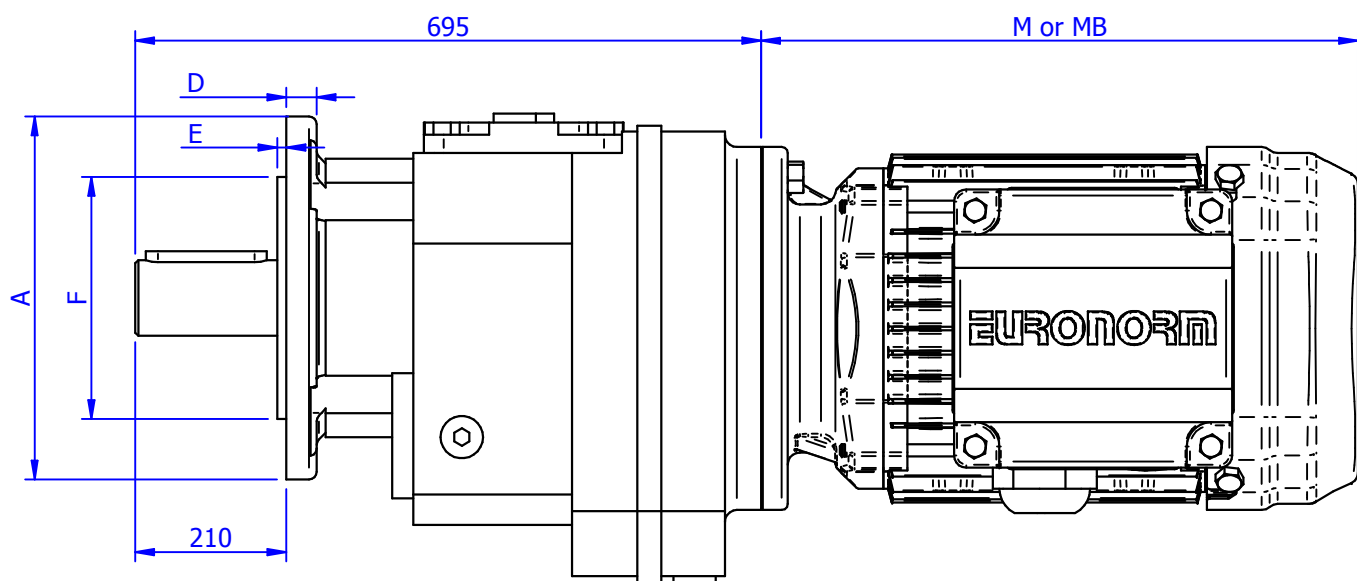
JRTR147...



GENERAL NOTES:



JRTRF147...



IEC size motor	JDS132 S/M	JDS160 S/M	JDS180 S/M/L	JDS200 L	JDS225 S/M
G	221	271	355	397	445
G1	171	228	269	287	312
M	489	531	690/690/738	751	764/789
MB (brake version)	480	-	-	-	-

Output flange dimensions	Flange size I	Flange size II	Flange size III
A	x	450	550
B	x	400	500
C	x	17.5	17.5
D	x	22	25
E	x	5	5
F	x	350h6	450h6

QUANTITY:	DRAWING DESCRIPTION			
01	JRTR..147..			
		© EURNORM DRIVE SYSTEMS B.V., THIS DOCUMENT CONTAINS CONFIDENTIAL AND PROPRIETARY INFORMATION WHICH, UNLESS OTHERWISE EXPRESSLY AGREED TO IN WRITING BY EURNORM, REMAINS THE SOLE PROPERTY OF EURNORM, AND MAY NOT BE DISCLOSED, COPIED, REDISTRIBUTED, RETRANSMITTED, PUBLISHED OR USED TO CREATE DERIVATIVE WORKS.		
		PROJECTION:	THIRD PROJECTION	DRAWN BY:
DATE DRAWN:	29-8-2019	Engineering	1:2,5	SIZE: A3
ORDER NUMBER:	-	DRAWING NUMBER:	3	REVISION:
				SHEET: