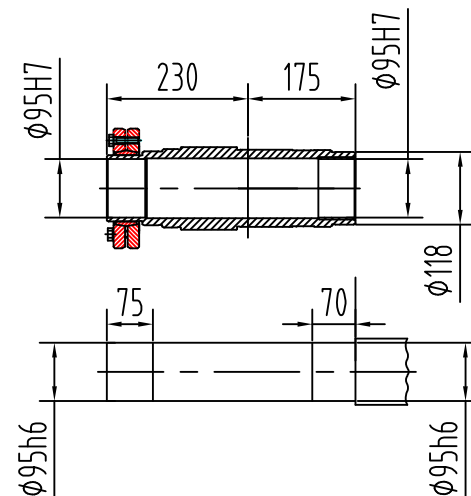
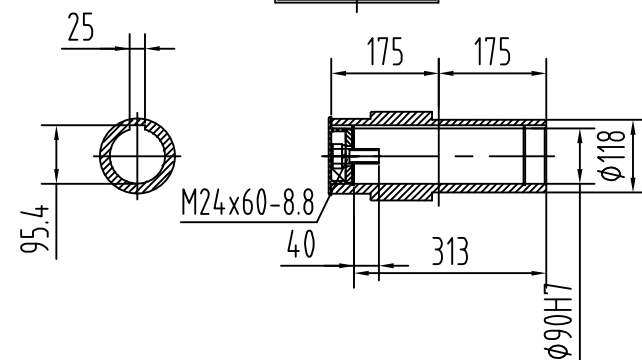
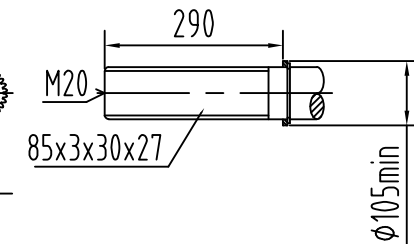


Me = $\phi 90.99^{+0.04}_0$

Dm = $\phi 6$



	DV100M	DV100L	DV112M	DV132S	DV132M	DV132ML	DV160M	DV160L	DV180..	DV200..	DV225..
G AC	193.4	193.4	213	255	255	255	330	330	380	420	470
G1 AD	131	131	150.5	167.7	167.7	167.7	255	255	280	305	335
G1B											
K	838.5	838.5	894	929	929	929	1030	1074	1101	1231	1247
KB	920.5	920.5	979.5	1022	1022	1022	1126	1170	1202	1381	1397
KM LB	301.5	301.5	357	392	392	392	493	537	564	694	710

Pos.	Amount	Drawing nr.:	Material	Measurements
			Units:	Drawn by:
			Scale: 1:12	Sheet:
			Date:	Revision:
Projection:		Format:	Title: JRTK..Z107..	

COPYRIGHT EURONORM, THIS DOCUMENT CONTAINS CONFIDENTIAL AND PROPRIETARY INFORMATION WHICH, UNLESS OTHERWISE EXPRESSLY AGREED TO IN WRITING BY EURONORM, REMAINS THE SOLE PROPERTY OF EURONORM, AND MAY NOT BE DISCLOSED, COPIED, REDISTRIBUTED, RETRANSMITTED, PUBLISHED OR USED TO CREATE DERIVATIVE WORKS. 2013 EURONORM.