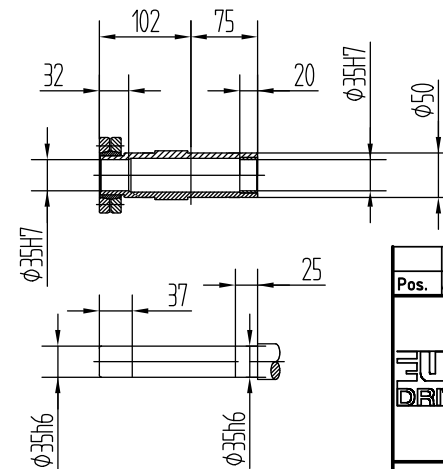
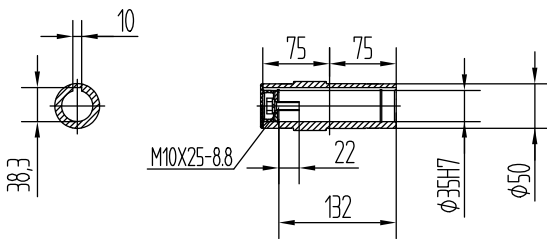
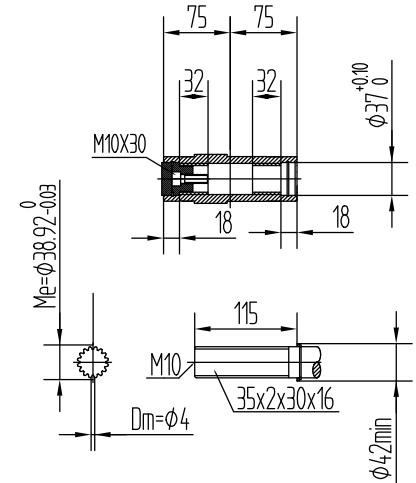
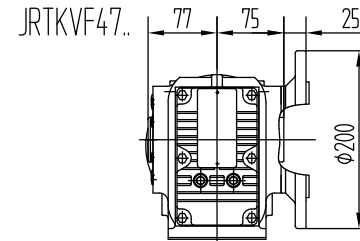
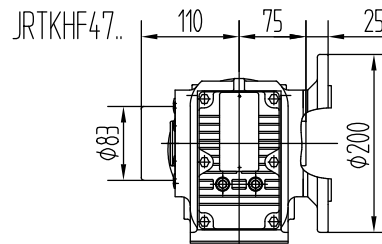
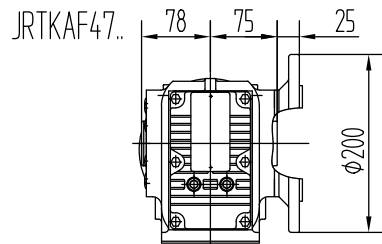
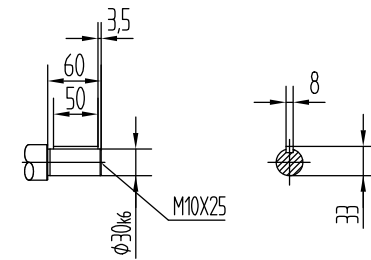
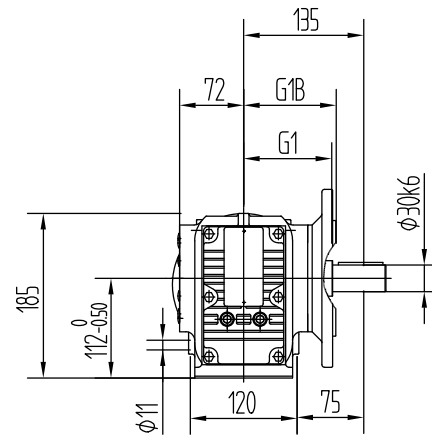
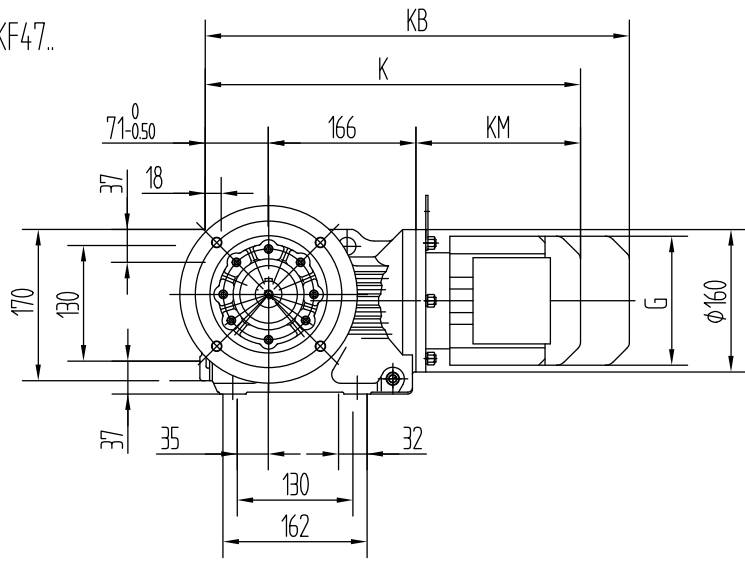


JRTKF47..



	DS63	DS71	DS80	DS90	DS100	DS112	DS125				
G <AC>	120	135	156	175	189	221	221				
G1 <AD>	109	128	138	149	157	171	171				
GB											
K	429	459	499	521	581	629	629				
KB	489	519	571	599	659	717	717				
KM <CB>	192	222	262	284	344	392	392				

Pos.	Amount	Drawing nr.:	Material	Measurements	COPYRIGHT EURONORM, THIS DOCUMENT CONTAINS CONFIDENTIAL AND PROPRIETARY INFORMATION WHICH, UNLESS OTHERWISE EXPRESSLY AGREED TO IN WRITING BY EURONORM, REMAINS THE SOLE PROPERTY OF EURONORM, AND MAY NOT BE DISCLOSED, COPIED, REDISTRIBUTED, RETRANSMITTED, PUBLISHED OR USED TO CREATE DERIVATIVE WORKS. 2013 EURONORM.
			Units:	Drawn by:	
			Scale: 1:6	Sheet:	
			Date:	Revision:	
Projection:		Format:	Title: JRTK..F47..		