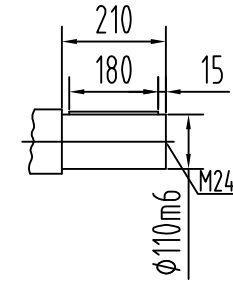
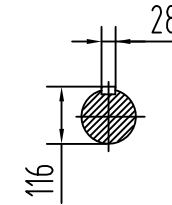
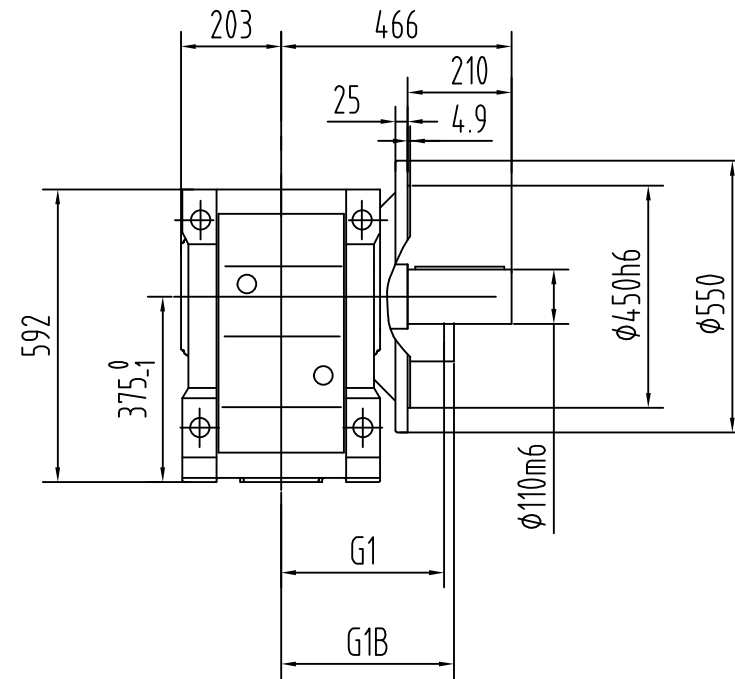
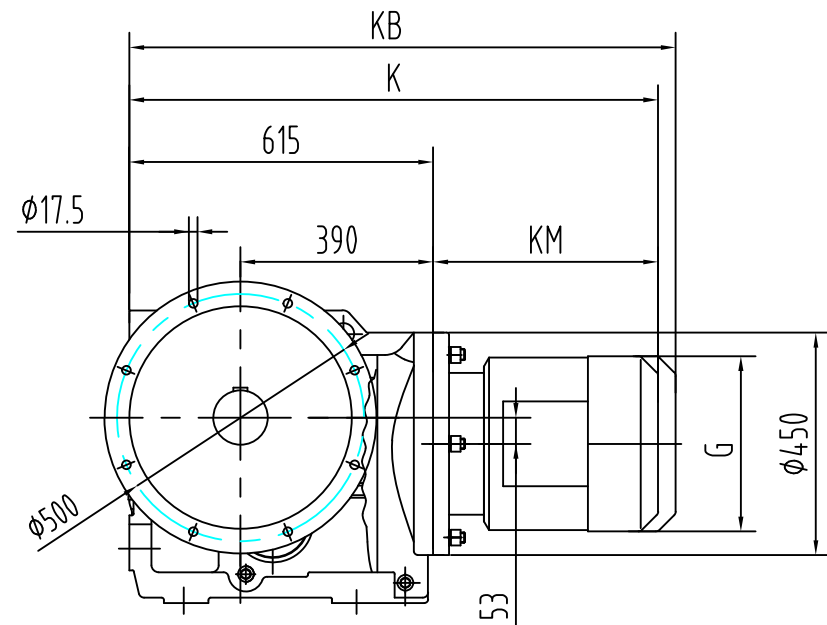
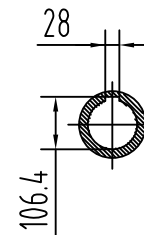
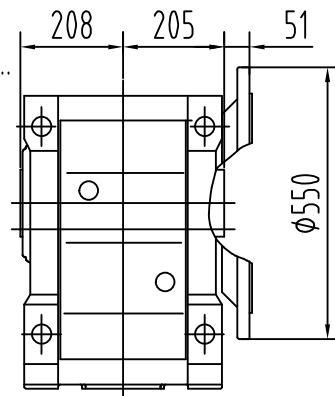


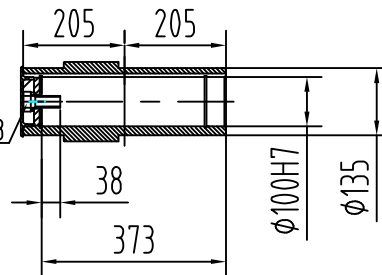
JRTKF127..



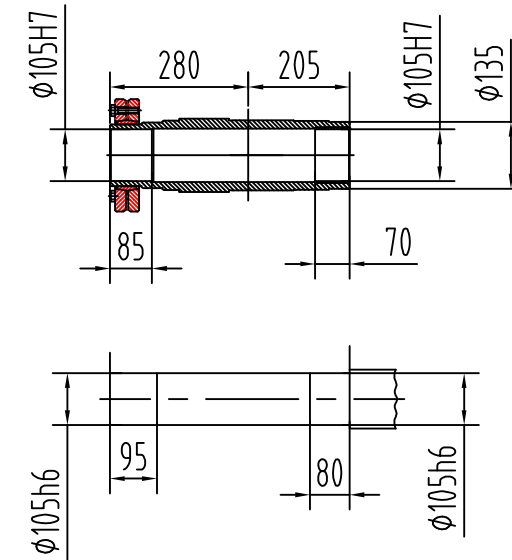
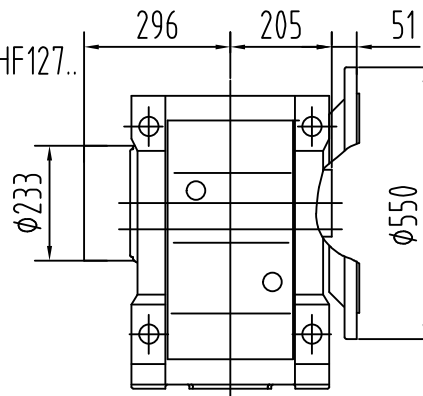
JRTKAF127..



M24x60-8.8



JRTKHF127..



	DV132M	DV132ML	DV160M	DV160L	DV180..	DV200..	DV225S	DV225M	DV250M	DV280S	DV280M
G AC	255	255	330	330	380	420	470	470	510	580	580
G1 AD	167.7	167.7	255	255	280	305	335	335	370	410	410
G1B											
K	992	992	1093	1137	1164	1294	1310	1335	1400		
KB	1085	1085	1189	1233	1265	1444	1460	1478			
KM LB	377	377	478	522	549	679	695	720	785		

Pos.	Amount	Drawing nr.:	Material	Measurements
			Units:	Drawn by:
			Scale: 1:15	Sheet:
			Date:	Revision:
Projection:	Format:	Title: JRTK..F127..		
COPYRIGHT EURONORM, THIS DOCUMENT CONTAINS CONFIDENTIAL AND PROPRIETARY INFORMATION WHICH, UNLESS OTHERWISE EXPRESSLY AGREED TO IN WRITING BY EURONORM, REMAINS THE SOLE PROPERTY OF EURONORM, AND MAY NOT BE DISCLOSED, COPIED, REDISTRIBUTED, RETRANSMITTED, PUBLISHED OR USED TO CREATE DERIVATIVE WORKS. 2013 EURONORM.				