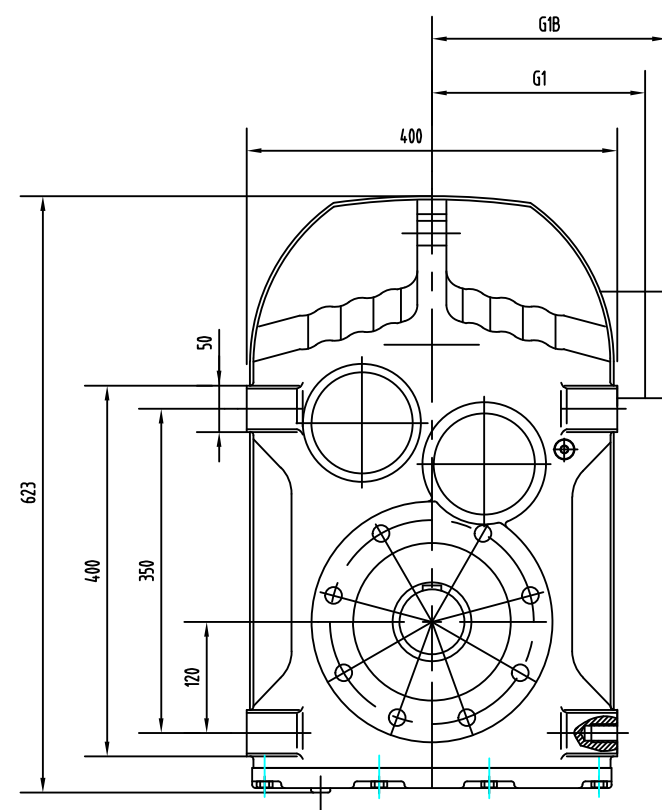
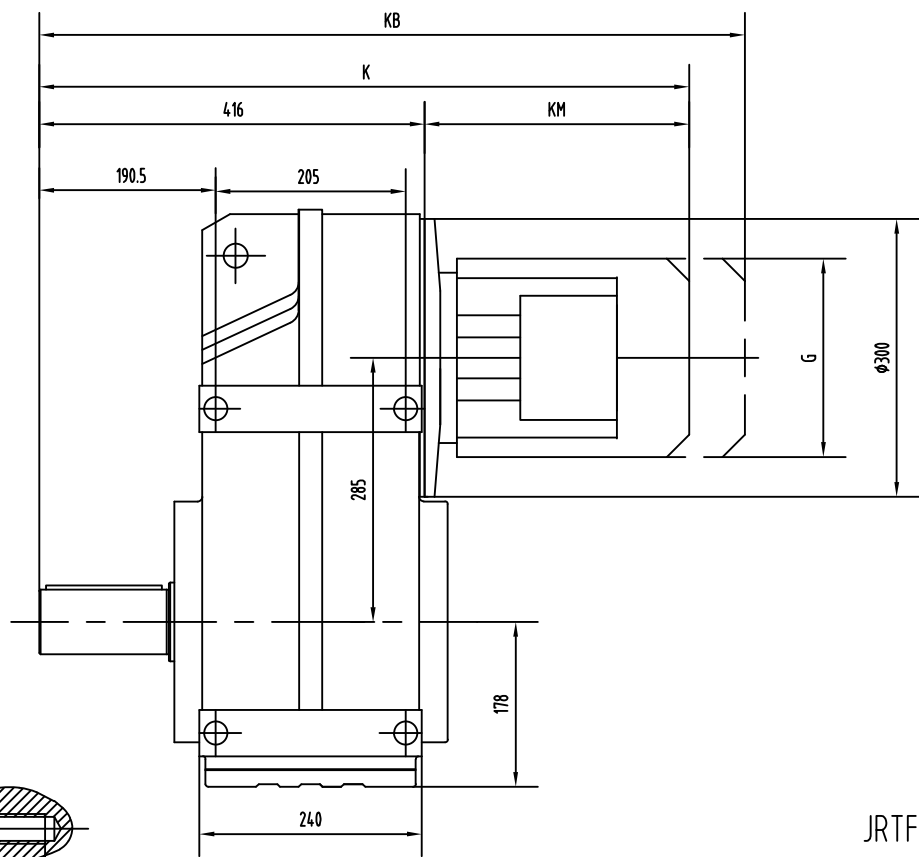
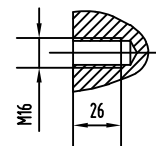
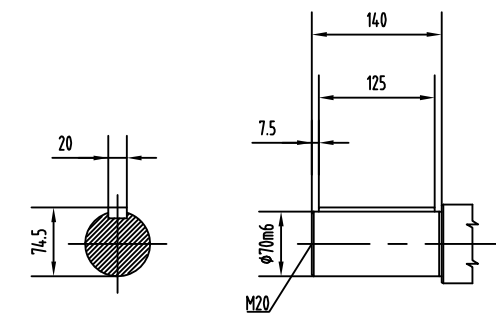
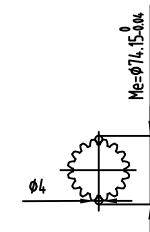
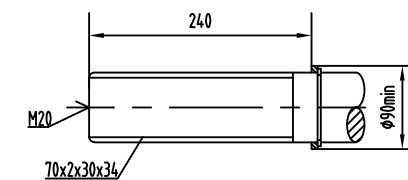
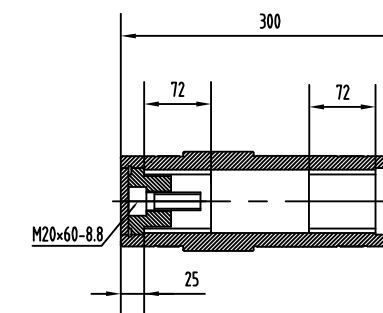
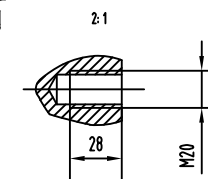
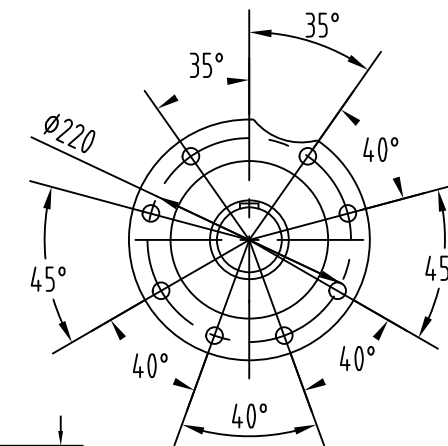


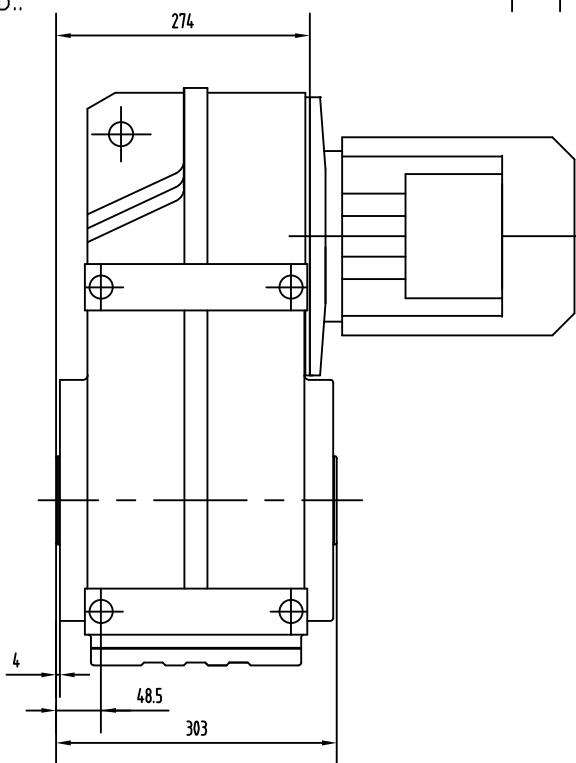
JRTF97..



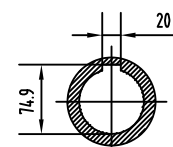
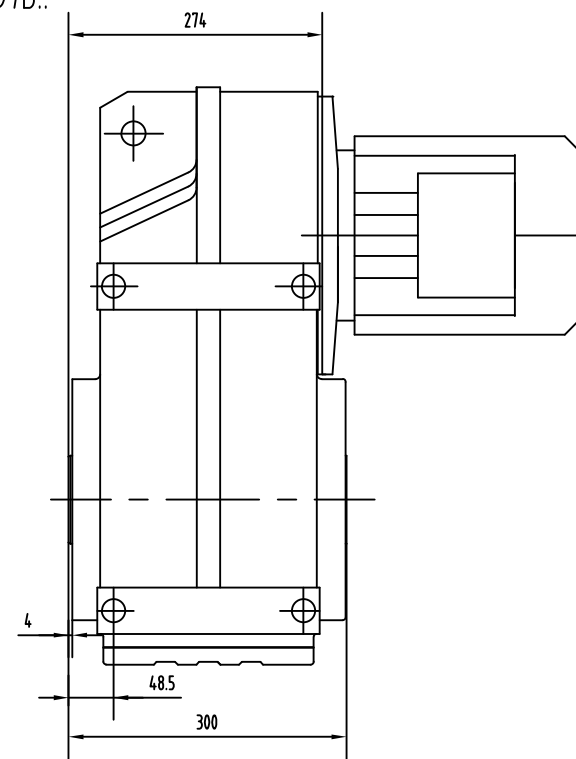
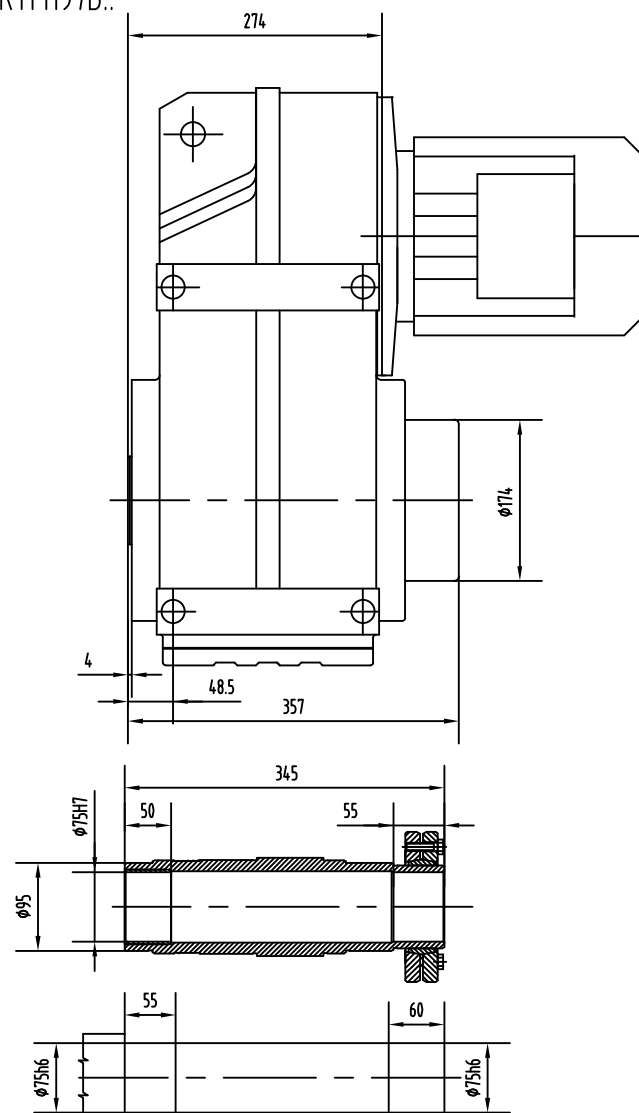
JRTFV97B..



JRTFA97B..



JRTFH97B..



	DT90.	DV100M	DV100L	DV112M	DV132S	DV132M	DV132HL	DV160M	DV160L	DV180.	DV200.
G AC	193.4	193.4	213	255	255	255	330	330	380	420	
G1 AD	131	131	150.5	167.7	167.7	167.7	255	255	280	305	
G1B											
K	723.5	723.5	779	814	814	814	915	959	986	1116	
KB	805.5	805.5	864.5	907	907	907	1011	1055	1087	1266	
KM LB	307.5	307.5	363	398	398	398	499	543	570	700	

Pos.	Amount	Drawing nr.:	Material	Measurements
		Units:		Drawn by:
		Scale: 1:8		Sheet:
		Date:		Revision:
Projection:	Format:	Title: JRTF97..		

COPYRIGHT EURONORM, THIS DOCUMENT CONTAINS CONFIDENTIAL AND PROPRIETARY INFORMATION WHICH, UNLESS OTHERWISE EXPRESSLY AGREED TO IN WRITING BY EURONORM, REMAINS THE SOLE PROPERTY OF EURONORM, AND MAY NOT BE DISCLOSED, COPIED, REDISTRIBUTED, RETRANSMITTED, PUBLISHED OR USED TO CREATE DERIVATIVE WORKS. 2013 EURONORM.