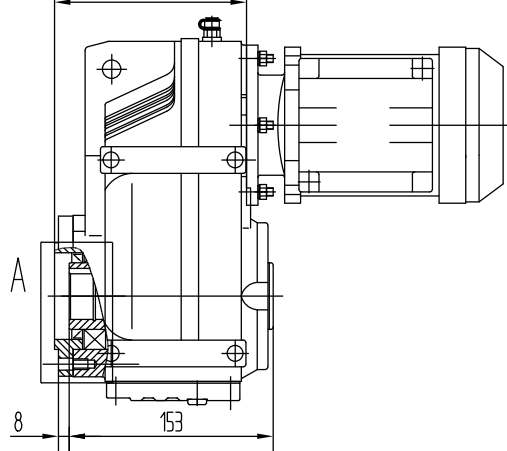


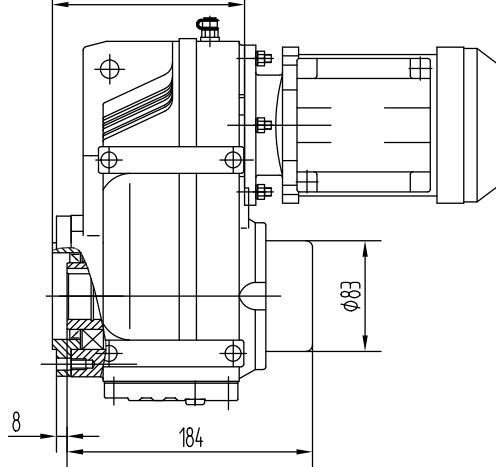
JRTFAZ47..

144



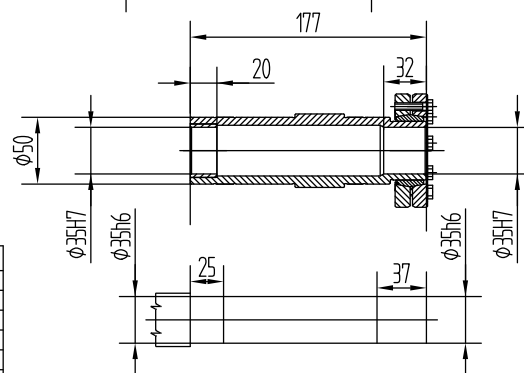
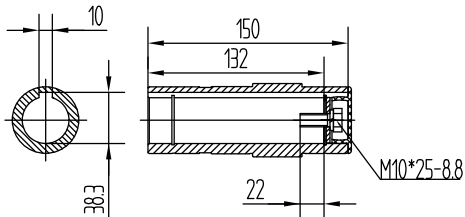
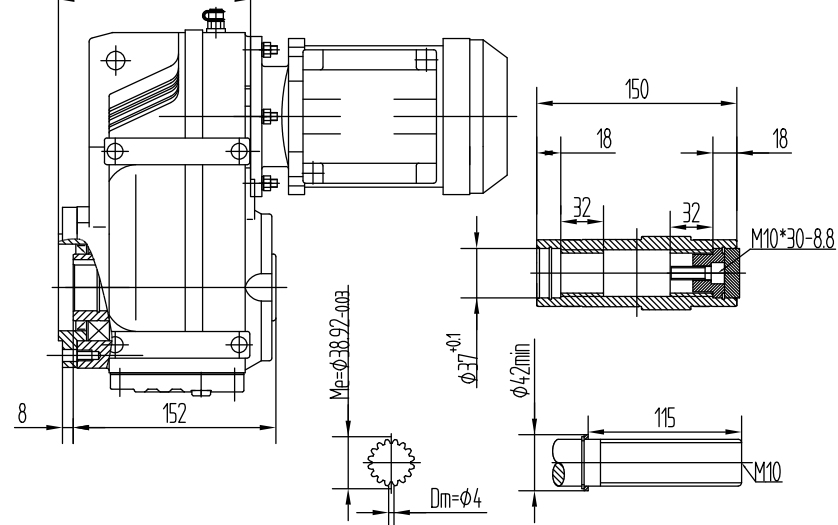
JRTFHZ47..

144



JRTFVZ47..

144



	DS63.	DS71.	DS80.	DS90.	DS100.		
G <AC>	120	135	156	175	189		
G1 <AD>	109	128	138	149	157		
G1B							
K	342	373	413	435	497		
KB	402	433	495	513	575		
KM <LB>	198	229	269	291	353		

Pos.	Amount	Drawing nr.:	Material	Measurements	COPYRIGHT EURONORM, THIS DOCUMENT CONTAINS CONFIDENTIAL AND PROPRIETARY INFORMATION WHICH, UNLESS OTHERWISE EXPRESSLY AGREED TO IN WRITING BY EURONORM, REMAINS THE SOLE PROPERTY OF EURONORM, AND MAY NOT BE DISCLOSED, COPIED, REDISTRIBUTED, RETRANSMITTED, PUBLISHED OR USED TO CREATE DERIVATIVE WORKS. 2013 EURONORM.
			Units:	Drawn by:	
			Scale: 1:4	Sheet:	
			Date:	Revision:	
Projection:			Format:	Title: JRTFAZ47..	