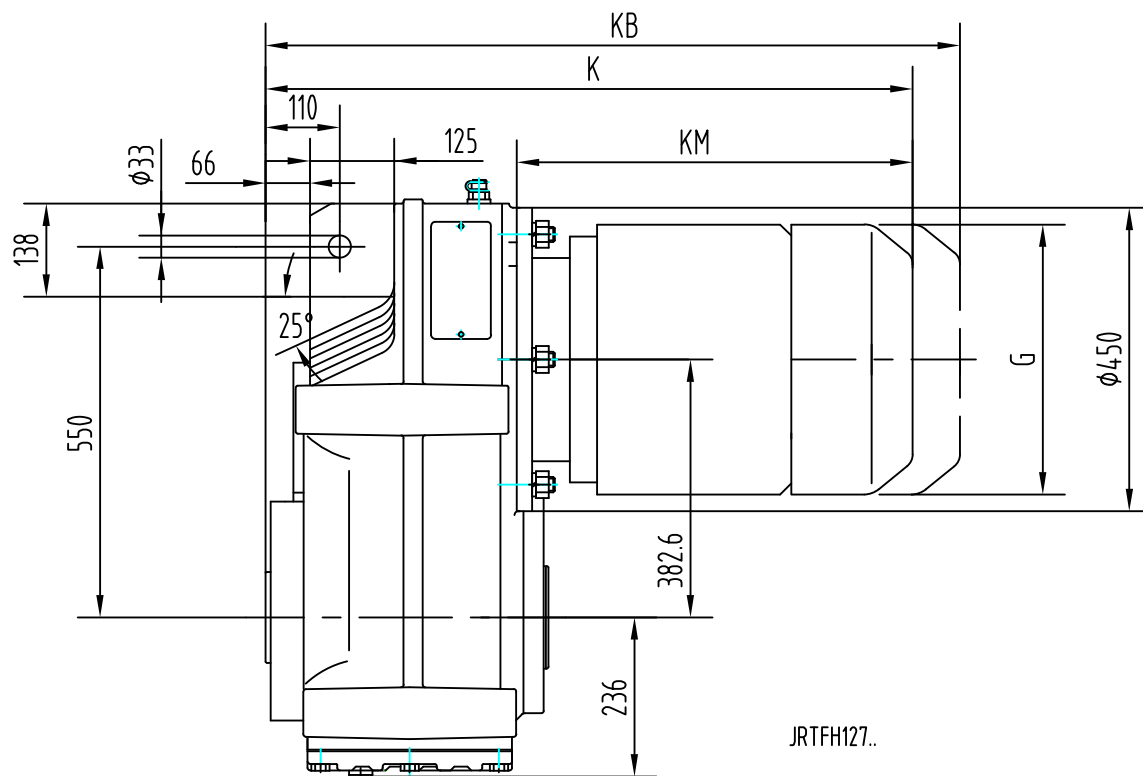
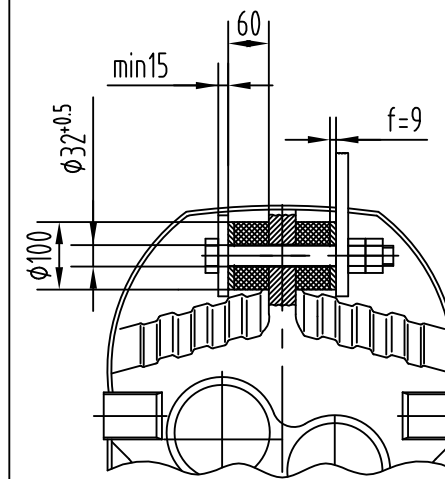
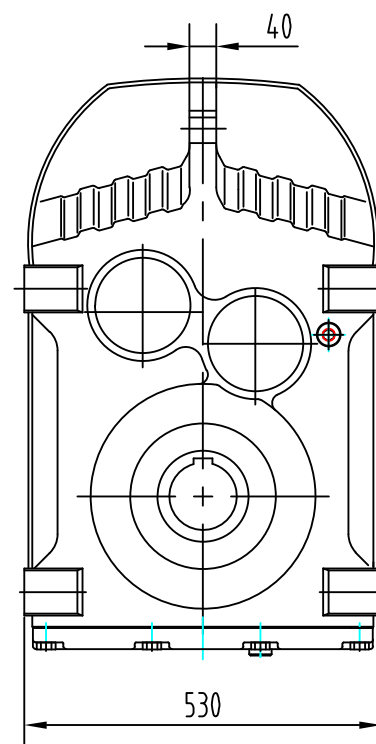


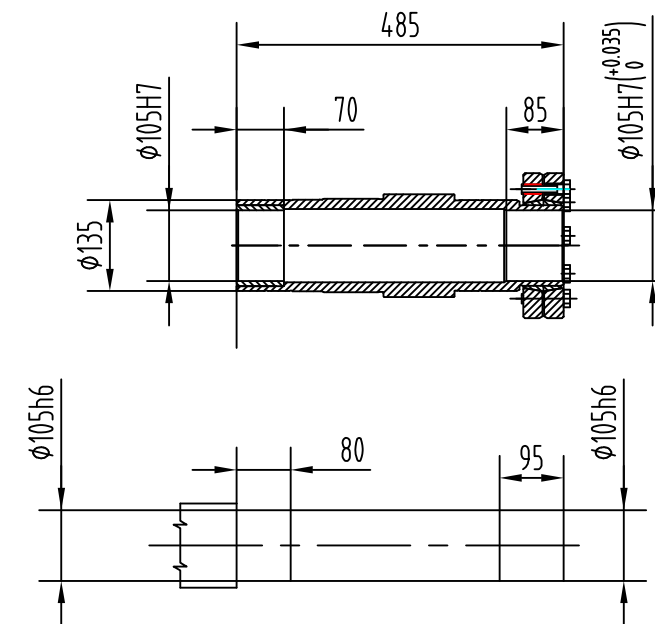
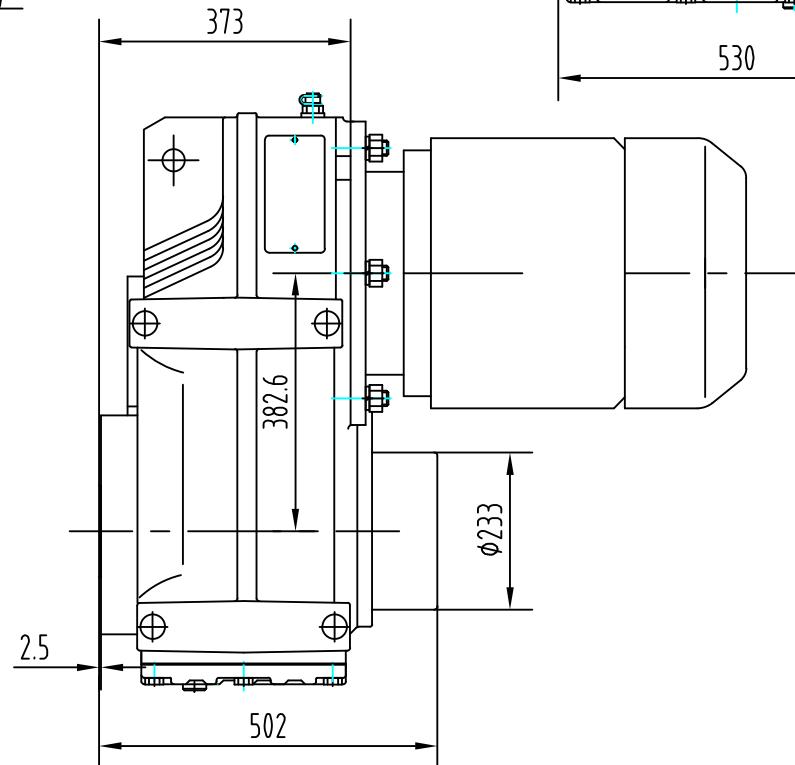
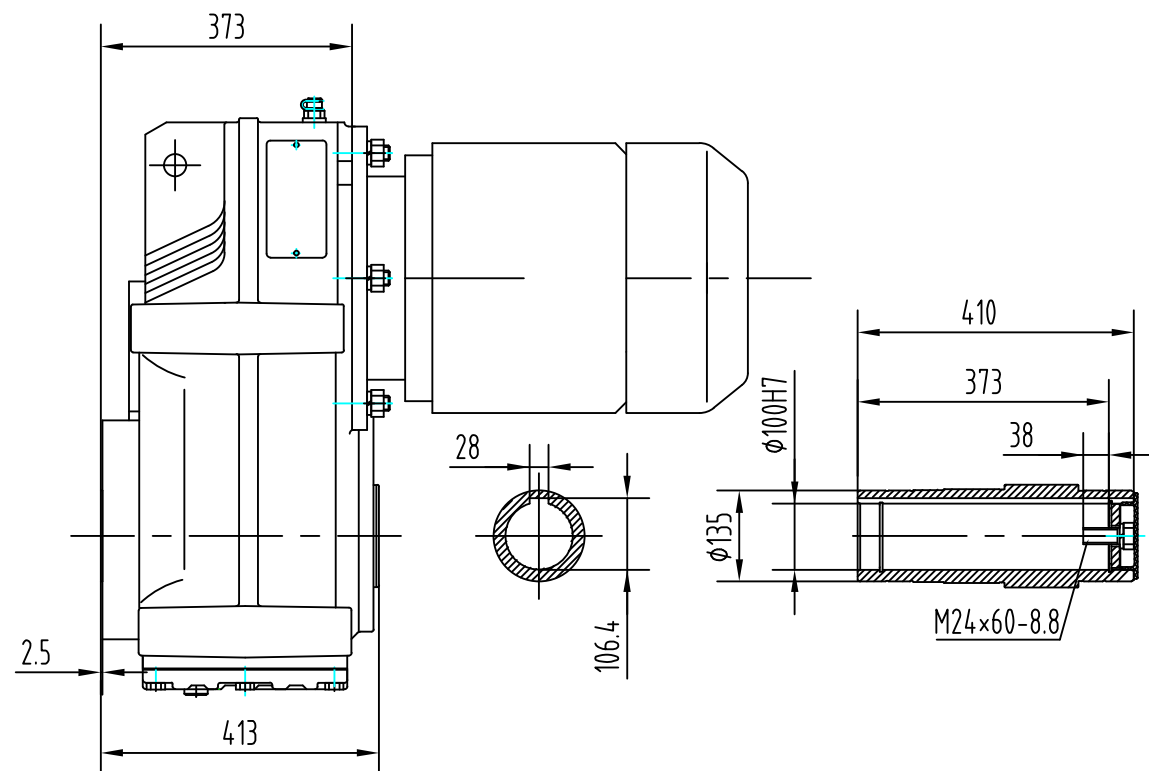
JRTFA127..



JRTFH127..



JRTF..127/G..



	DV132M	DV132ML	DV160M	DV160L	DV180..	DV200..	DV225S	DV225M	DV250M	D280S	D280M
G	AC	255	255	330	330	380	420	470	470	510	580
G1	AD	167.7	167.7	255	255	280	305	335	335	370	410
G1B											
K		750	750	851	895	922	1052	1068	1093	1158	
KB		843	843	947	991	1032	1202	1218	1236		
KM	LB	377	377	478	522	549	679	695	720	785	

Pos.	Amount	Drawing nr.:	Material	Measurements
			Units:	Drawn by:
			Scale: 1:11	Sheet:
			Date:	Revision:
Projection:	Format:	Title: JRTF..127/G..		COPYRIGHT EURONORM, THIS DOCUMENT CONTAINS CONFIDENTIAL AND PROPRIETARY INFORMATION WHICH, UNLESS OTHERWISE EXPRESSLY AGREED TO IN WRITING BY EURONORM, REMAINS THE SOLE PROPERTY OF EURONORM, AND MAY NOT BE DISCLOSED, COPIED, REDISTRIBUTED, RETRANSMITTED, PUBLISHED OR USED TO CREATE DERIVATIVE WORKS. 2013 EURONORM.