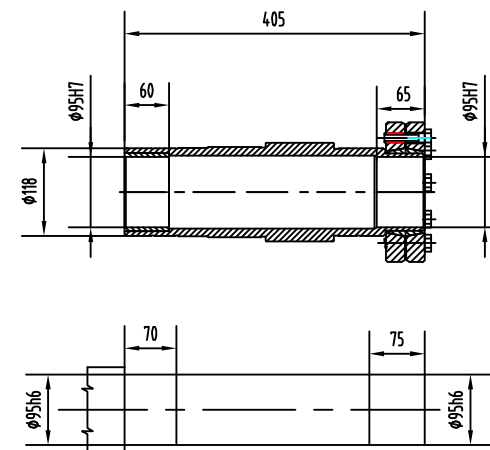
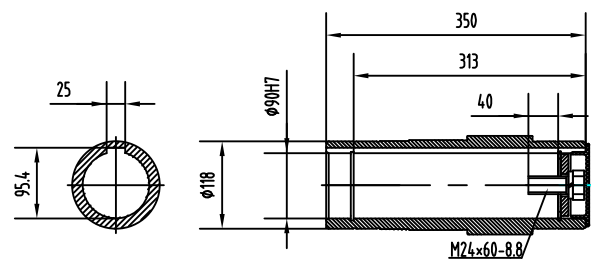
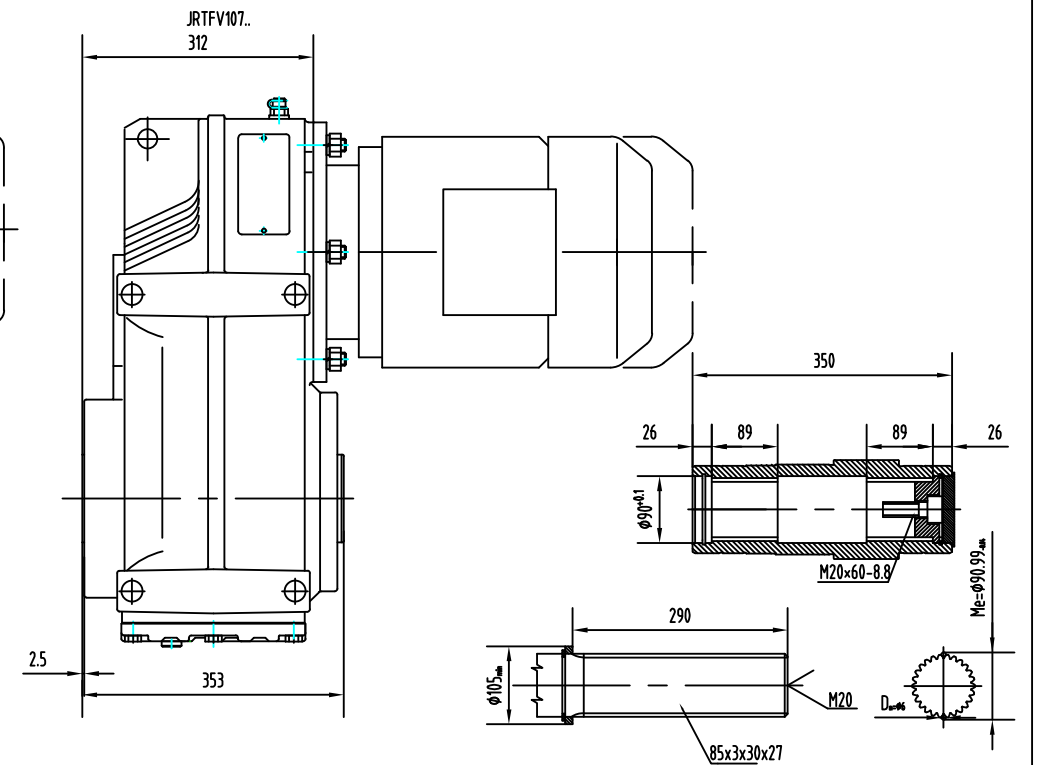
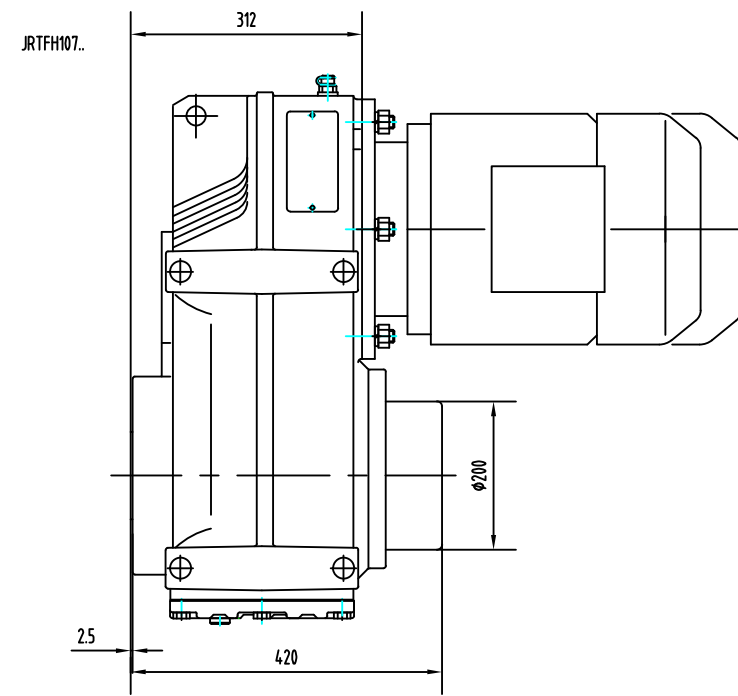
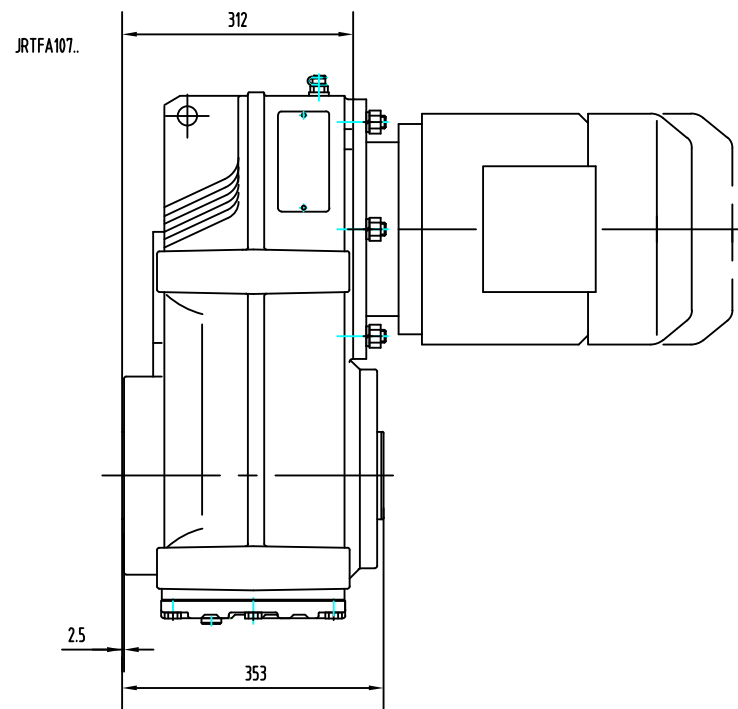


JRTF..107/G..



	DV100M	DV100L	DV112M	DV132S	DV132M	DV132ML	DV160M	DV160L	DV180..	DV200..	DV225S	DV225M
G AC	193.4	193.4	213	255	255	255	330	330	380	420	470	470
G1 AD	131	131	150.5	167.7	167.7	167.7	255	255	280	305	335	335
G1B												
K	613.5	613.5	669	704	704	704	805	849	876	1006	1022	1047
KB	695.5	695.5	754.5	797	797	797	901	945	977	1156	1172	1190
KM LB	301.5	301.5	357	392	392	392	493	537	564	694	710	735

Pos.	Amount	Drawing nr.:	Material	Measurements
			Units:	Drawn by:
			Scale: 1:10	Sheet:
			Date:	Revision:
Projection:	Format:	Title: JRTF..107/G..		

COPYRIGHT EURONORM, THIS DOCUMENT CONTAINS CONFIDENTIAL AND PROPRIETARY INFORMATION WHICH, UNLESS OTHERWISE EXPRESSLY AGREED TO IN WRITING BY EURONORM, REMAINS THE SOLE PROPERTY OF EURONORM, AND MAY NOT BE DISCLOSED, COPIED, REDISTRIBUTED, RETRANSMITTED, PUBLISHED OR USED TO CREATE DERIVATIVE WORKS. 2013 EURONORM.