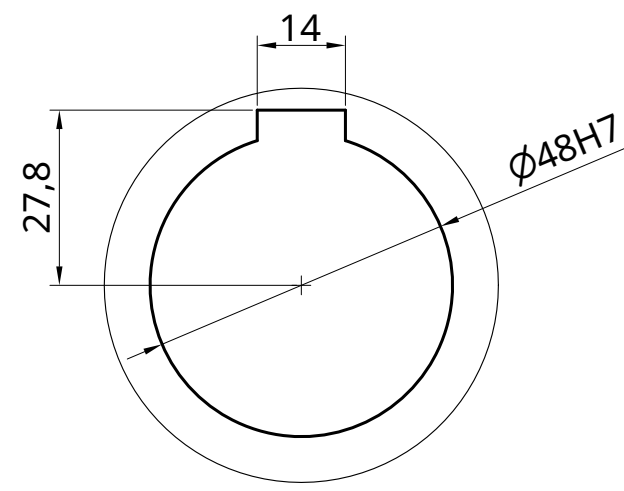
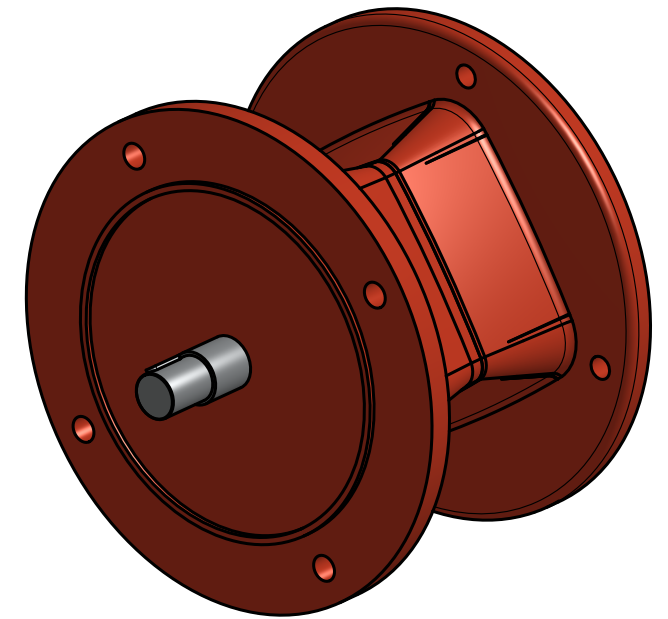


B
1:1



C
1:1.2



UNLESS OTHERWISE SPECIFIED,
DIMENSIONS ARE IN MILLIMETERS

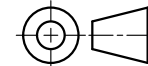
ANGULAR = ± °

SURFACE FINISH

DO NOT SCALE DRAWING

BREAK ALL SHARP EDGES AND
REMOVE BURRS

THIRD ANGLE PROJECTION



	NAME	COMPANY	DATE
DRAWN	Ruben Lie-Ajen	Euronorm Drive Systems	2018-03-15
AMOUNT	----	MEASUREMENTS	Ø350, L = 302
POSITION	----		
MATERIAL		FINISH	

EURONORM
DRIVE SYSTEMS

AM180 FOR FLANGE 350

SIZE	DWG. NO.	REV.
A3	JMF350A32BG180	1.0
SCALE 1:5	WEIGHT	SHEET 1 of 1