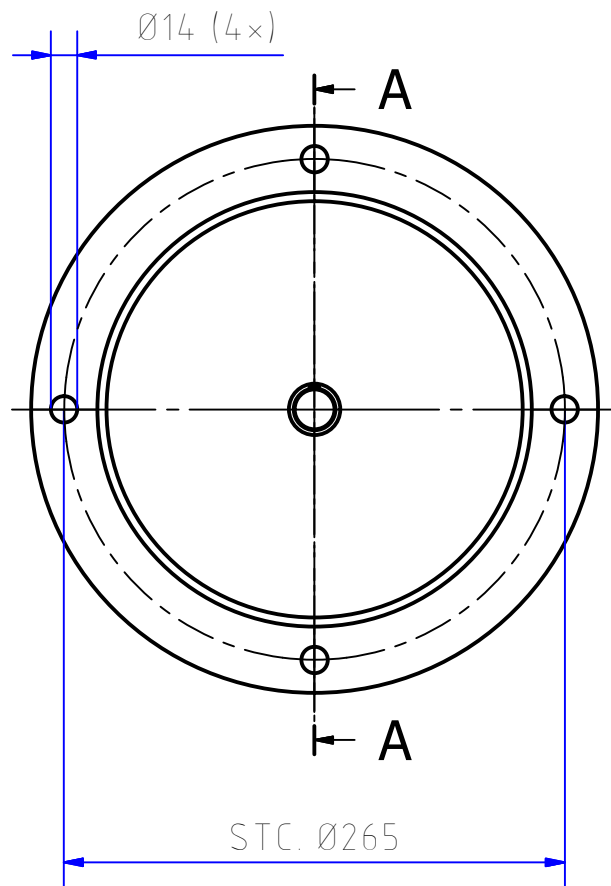
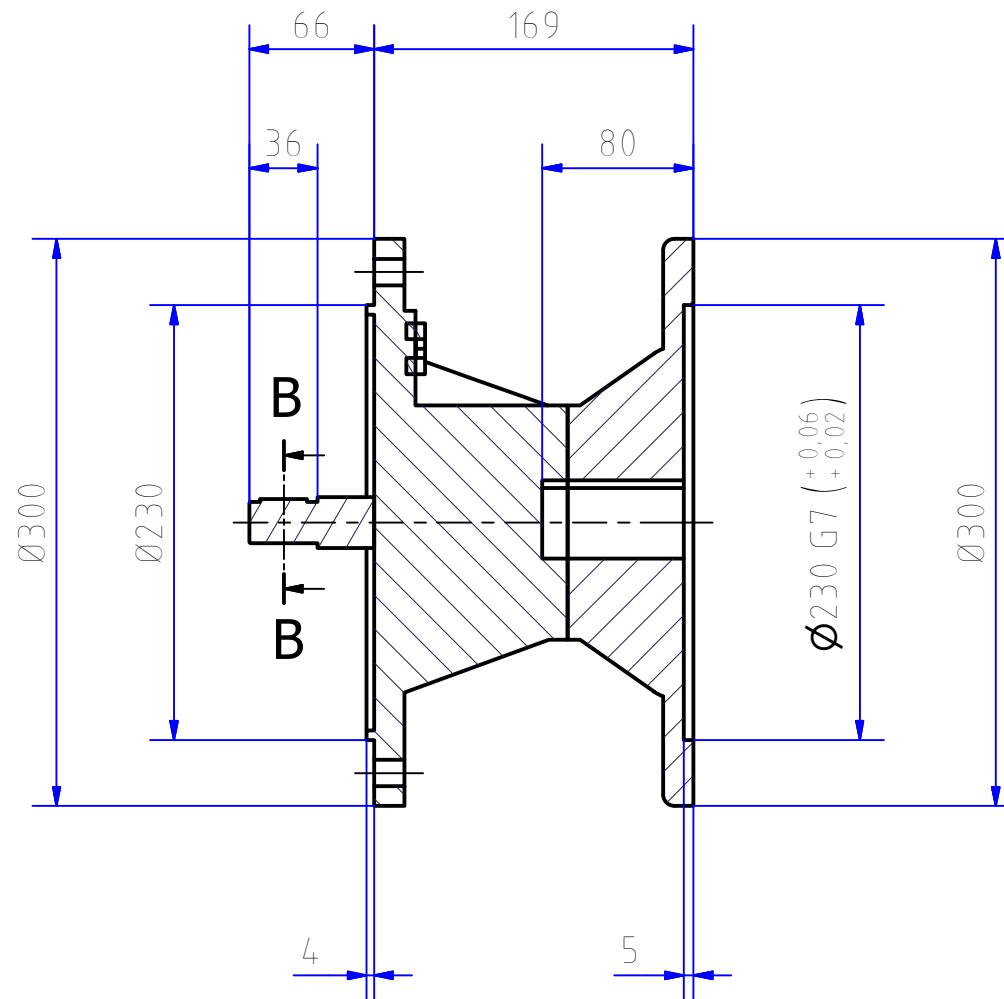
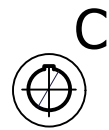


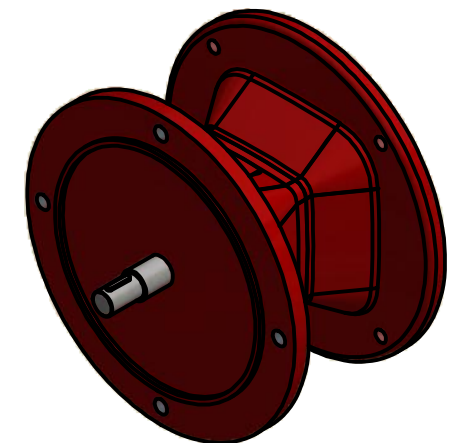
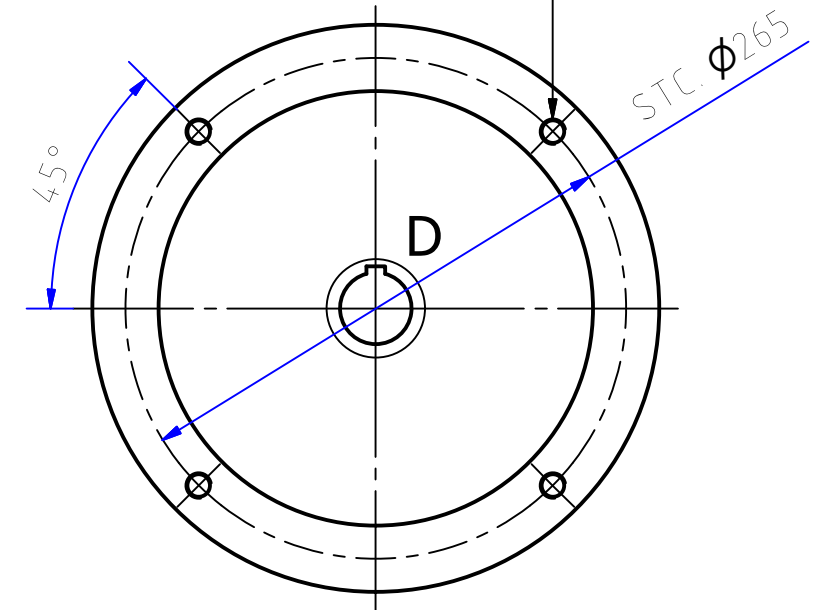
A-A (1 : 4)



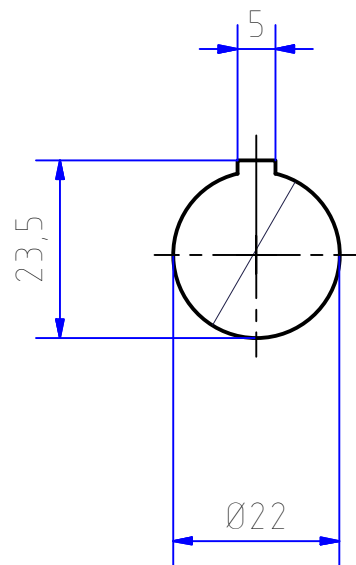
B-B (1 : 4)



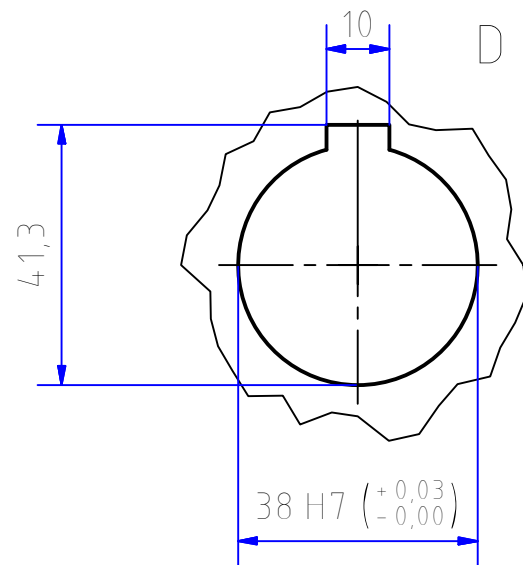
M12x1.75 - 6H (4x)



C (1 : 1)



D (1 : 1.2)



		JMF300A22BG132	Gietijzer	Ø300 , L = 235	COPYRIGHT EURONORM, THIS DOCUMENT CONTAINS CONFIDENTIAL AND PROPRIETARY INFORMATION WHICH, UNLESS OTHERWISE EXPRESSLY AGREED TO IN WRITING BY EURONORM, REMAINS THE SOLE PROPERTY OF EURONORM, AND MAY NOT BE DISCLOSED, COPIED, REDISTRIBUTED, RETRANSMITTED, PUBLISHED OR USED TO CREATE DERIVATIVE WORKS. 2013 EURONORM.
Pos.	Amount	Drawing nr.:	Material	Measurements	
			Units: mm	Drawn by: Ruben Lie-A-Jen	
			Scale: 1:4	Sheet: 1/1	
			Date: 06-10-2016	Revision: 1.0	
Projection:	Format: A3		Title: AM132 S-M for flange 300		