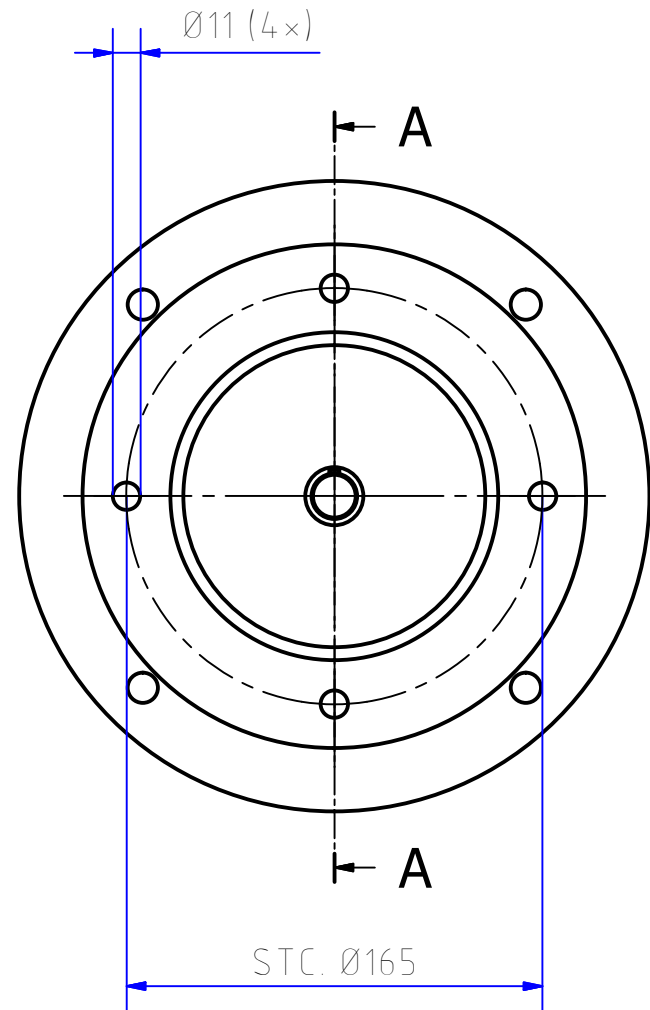
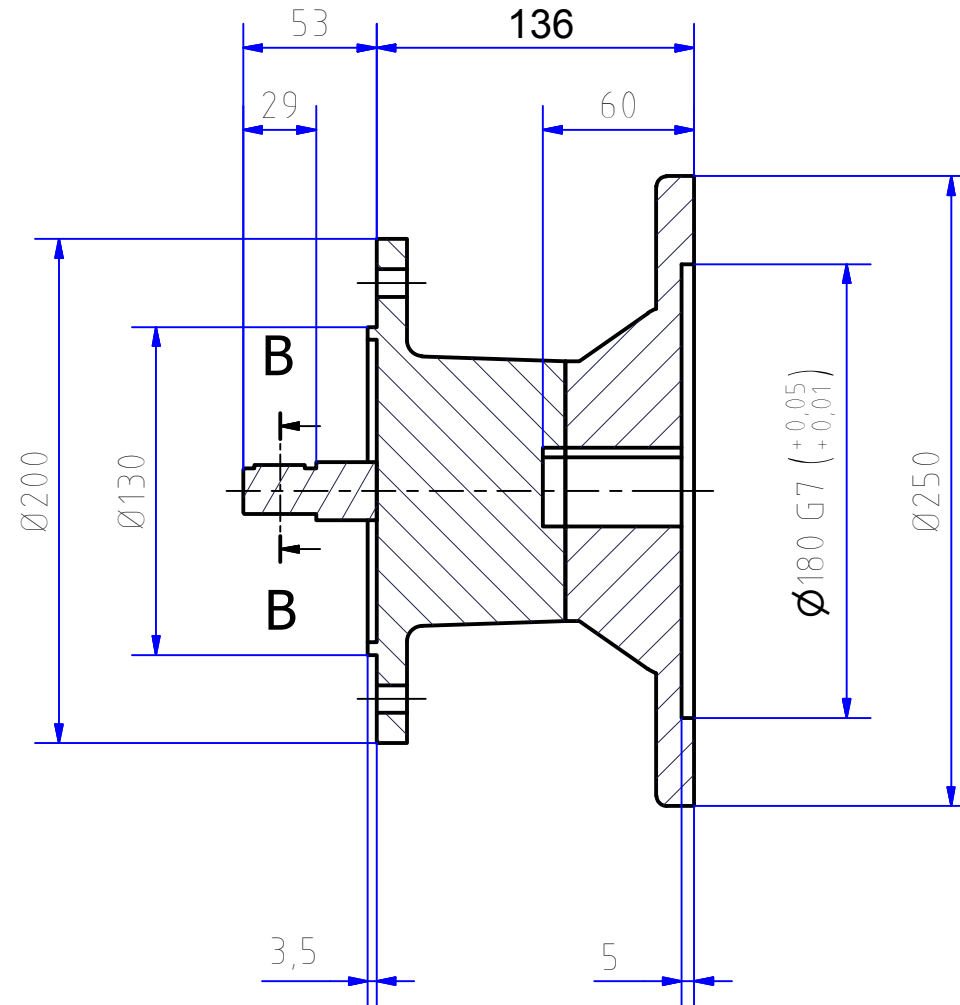
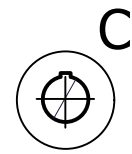


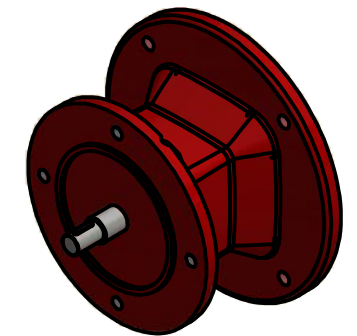
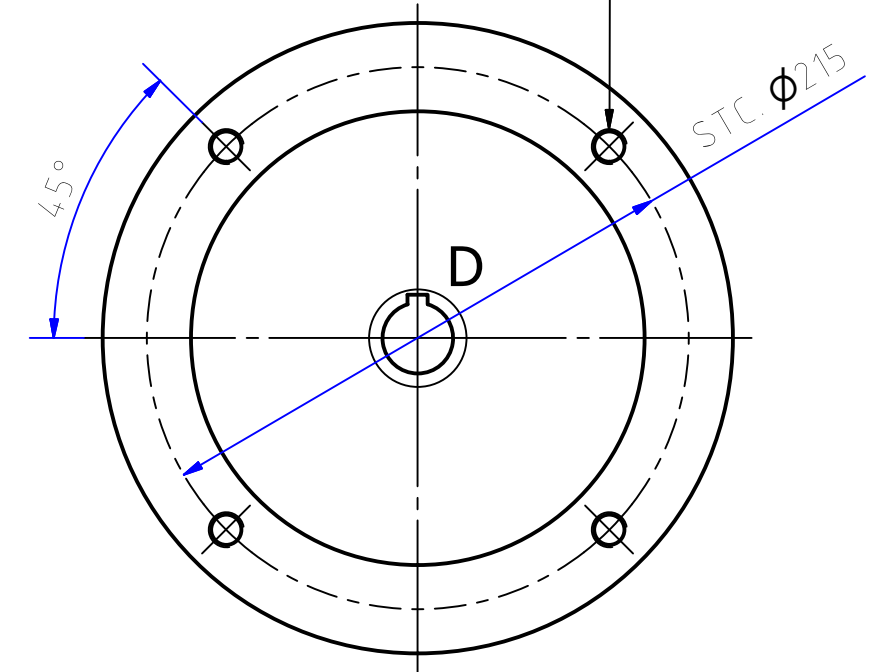
A-A (1:3)



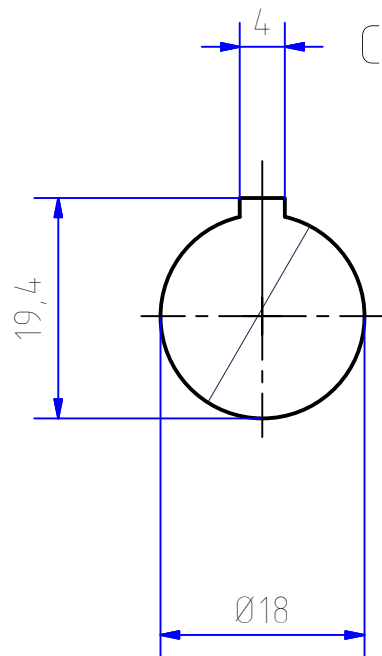
B-B (1:3)



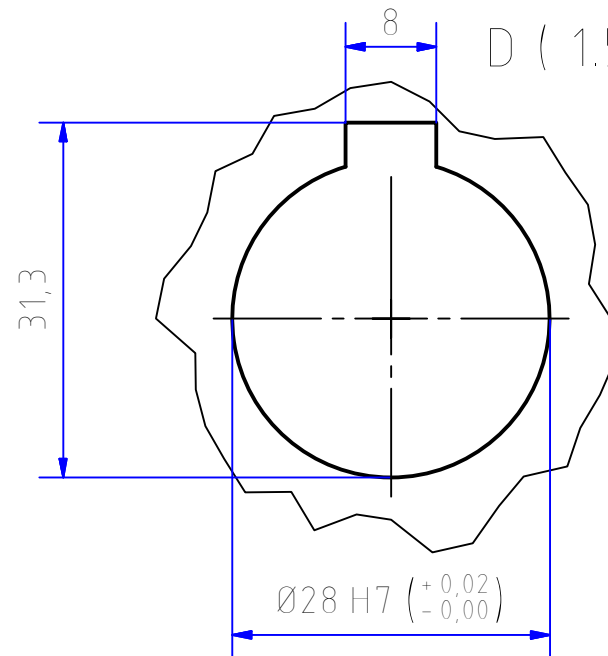
M12x1.75 - 6H (4x)



C (1.5:1)



D (1.5:1)



	JMF200A18BG112	Gietijzer	Ø250 , L = 179	COPYRIGHT EURONORM, THIS DOCUMENT CONTAINS CONFIDENTIAL AND PROPRIETARY INFORMATION WHICH, UNLESS OTHERWISE EXPRESSLY AGREED TO IN WRITING BY EURONORM, REMAINS THE SOLE PROPERTY OF EURONORM, AND MAY NOT BE DISCLOSED, COPIED, REDISTRIBUTED, RETRANSMITTED, PUBLISHED OR USED TO CREATE DERIVATIVE WORKS. 2013 EURONORM.
Pos.	Amount	Drawing nr.:	Measurements	
		Units: mm	Drawn by: Ruben Lie-A-Jen	
		Scale: 1:3	Sheet: 1/1	
		Date: 05-03-2018	Revision: 1.0	
Projection:	Format: A3	Title: AM112 for flange 200		