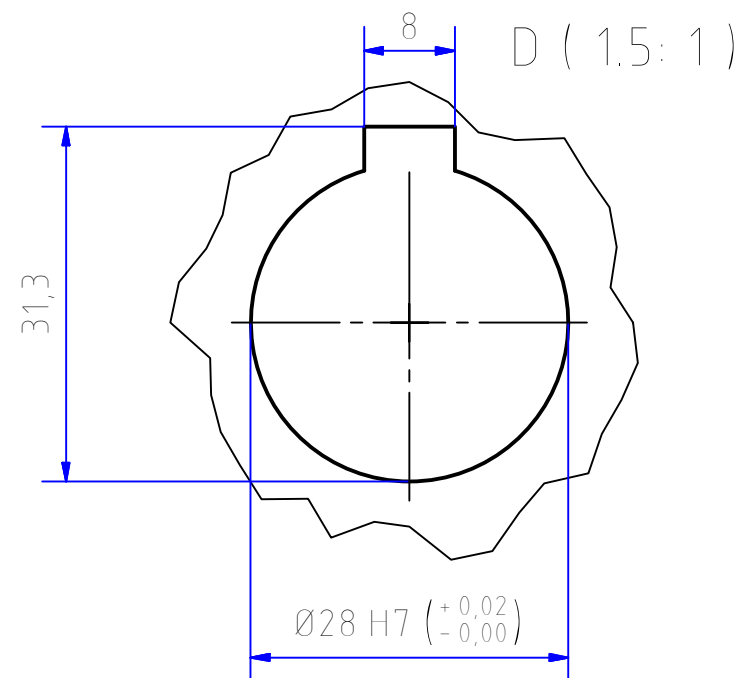
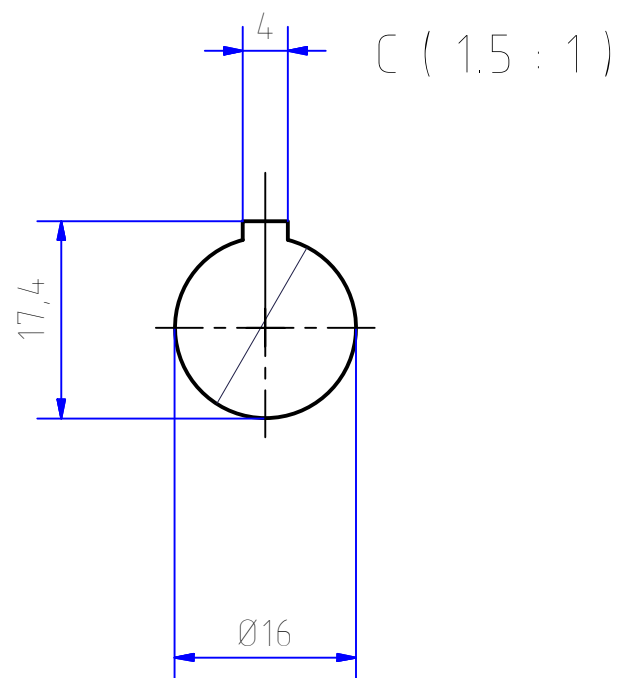
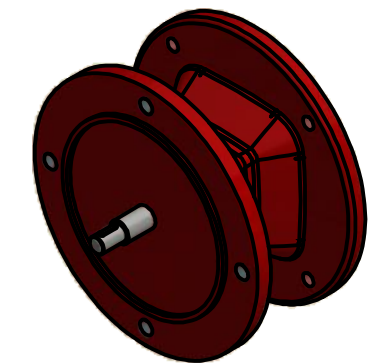
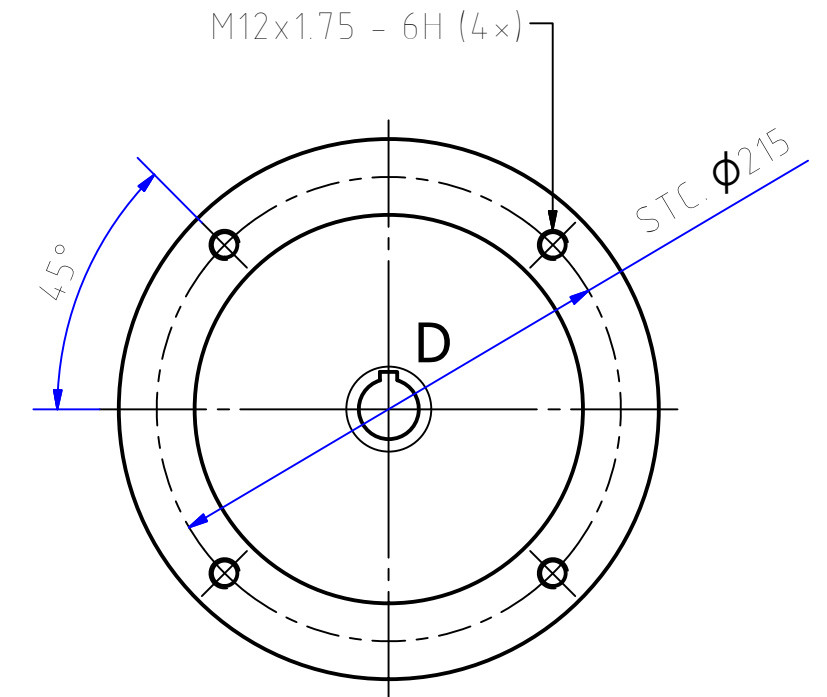
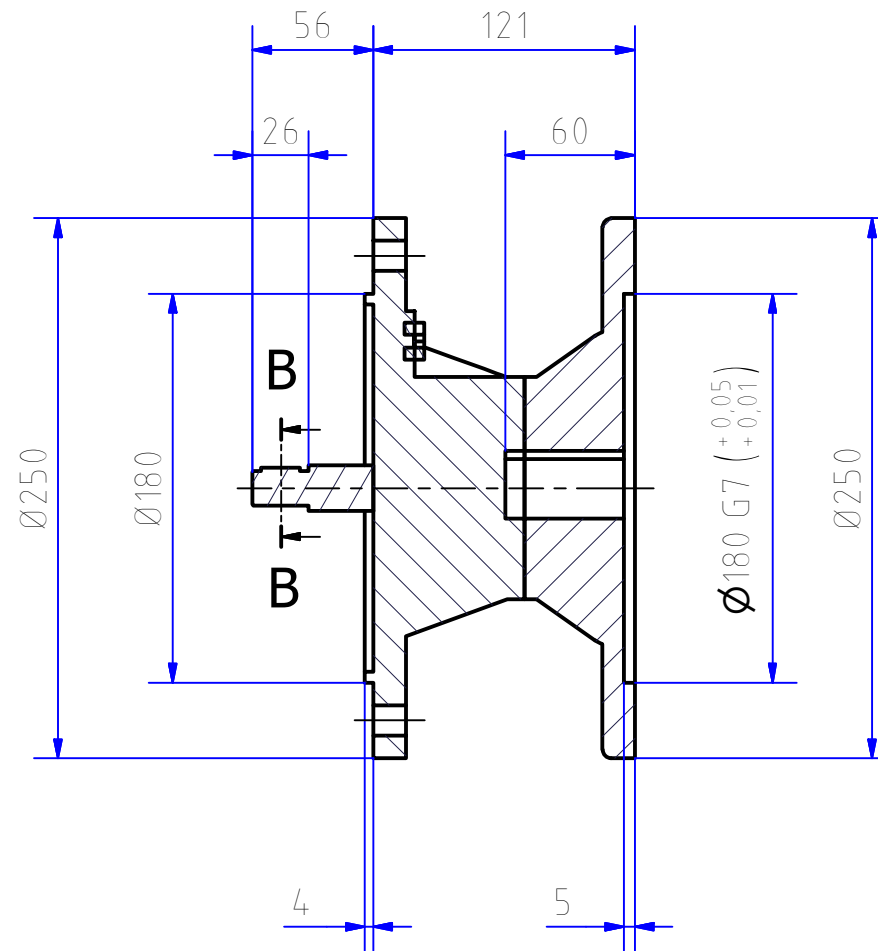
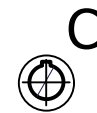


B-B (1:3.5)



Pos.	Amount	JMF250A16BG100 Drawing nr.:	Gietijzer Material	Ø250 , L = 177 Measurements	COPYRIGHT EURONORM, THIS DOCUMENT CONTAINS CONFIDENTIAL AND PROPRIETARY INFORMATION WHICH, UNLESS OTHERWISE EXPRESSLY AGREED TO IN WRITING BY EURONORM, REMAINS THE SOLE PROPERTY OF EURONORM, AND MAY NOT BE DISCLOSED, COPIED, REDISTRIBUTED, RETRANSMITTED, PUBLISHED OR USED TO CREATE DERIVATIVE WORKS. 2013 EURONORM.
			Units: mm	Drawn by: Ruben Lie-A-Jen	
			Scale: 1:3.5	Sheet: 1/1	
			Date: 10-10-2016	Revision: 1.0	
Projection:	Format: A3	Title: AM100 for flange 250			