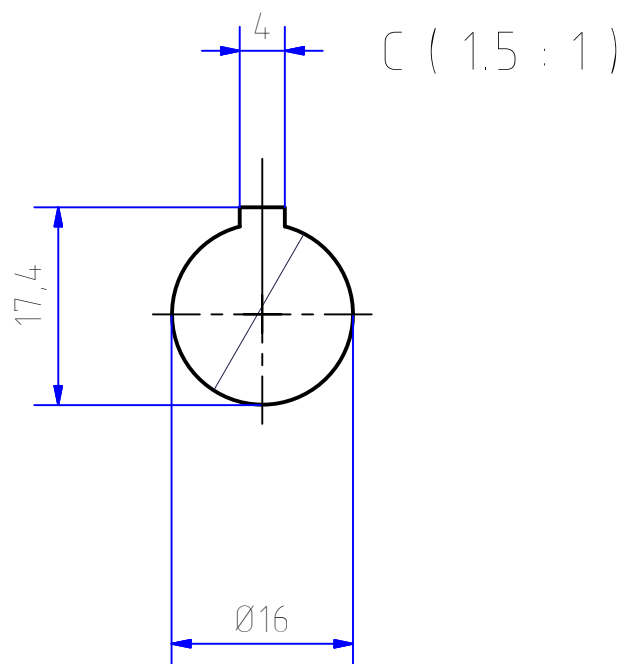
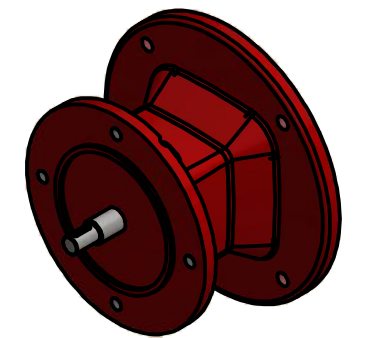
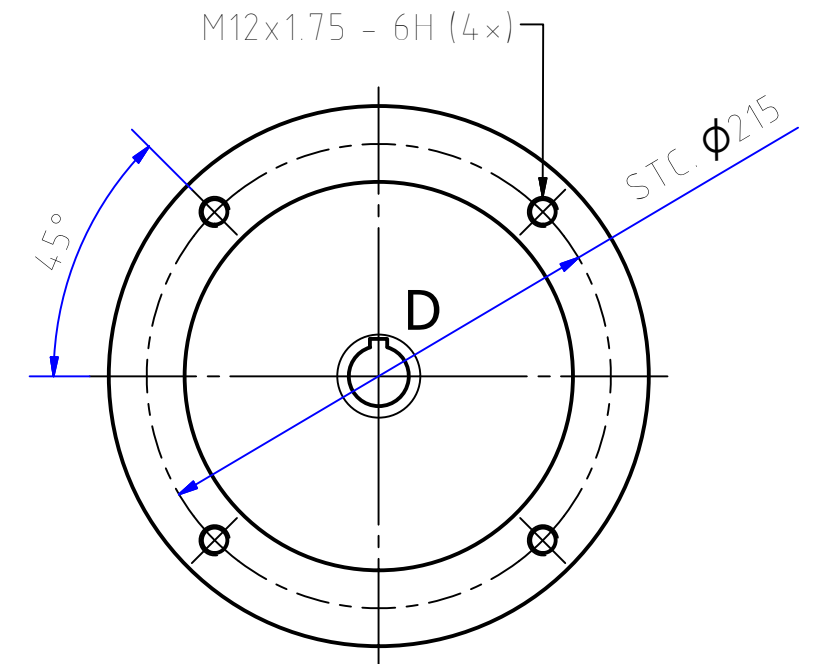
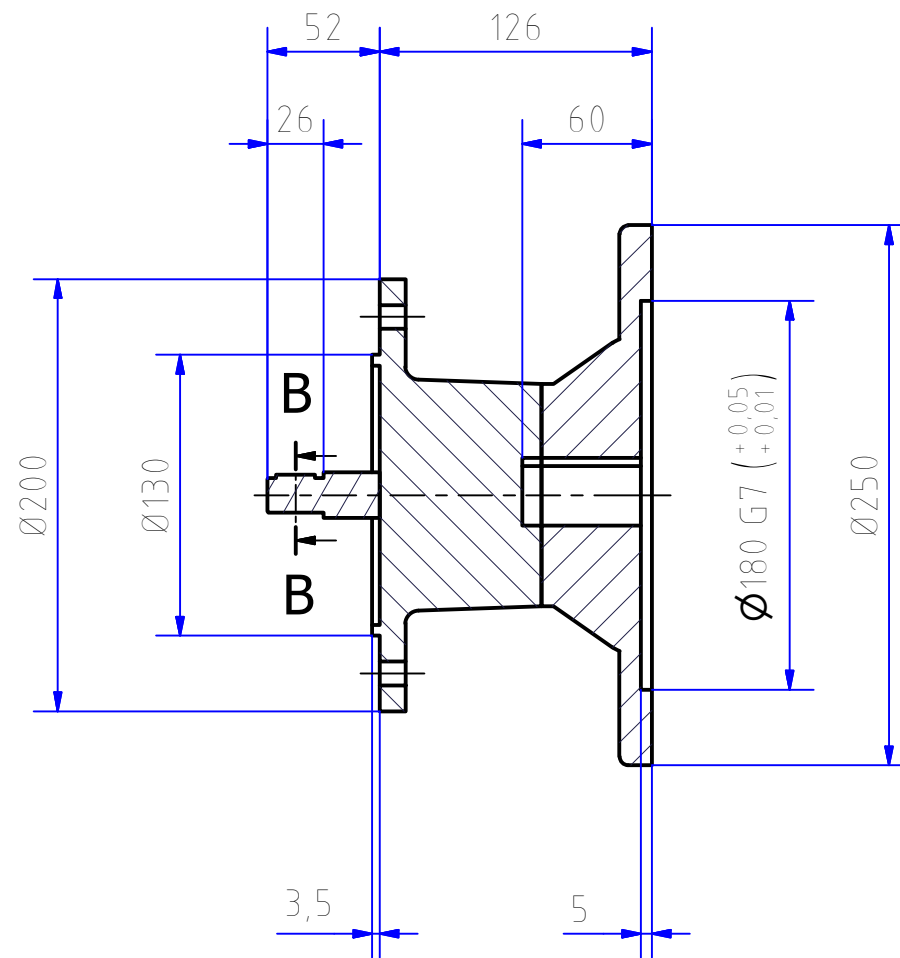
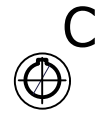
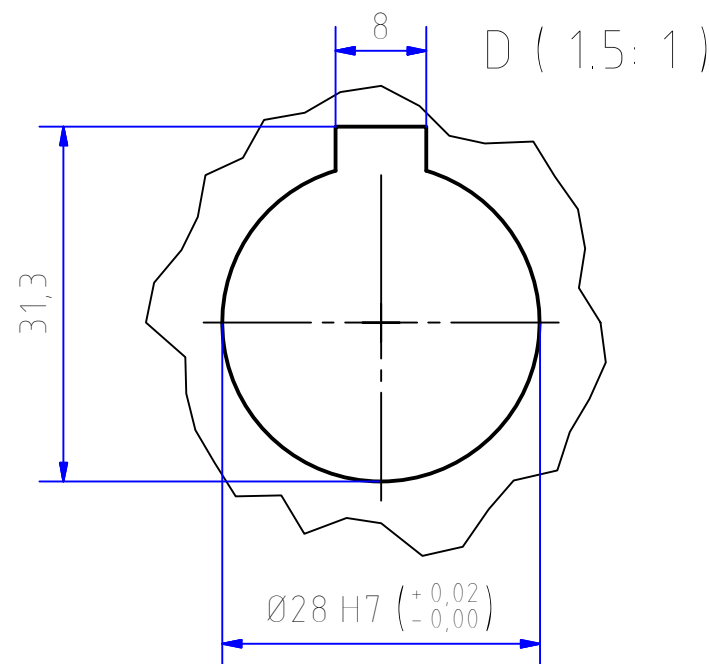


B-B (1 : 3.5)



C (1.5 : 1)



D (1.5 : 1)

		JMF200A16BG100	Gietijzer	Ø250 , L = 178
Pos.	Amount	Drawing nr.:	Material	Measurements
			Units: mm	Drawn by: Ruben Lie-A-Jen
			Scale: 1:3.5	Sheet: 1/1
			Date: 10-10-2016	Revision: 1.0
Projection:	Format: A3	Title: AM100 for flange 200		

COPYRIGHT EURONORM, THIS DOCUMENT CONTAINS CONFIDENTIAL AND PROPRIETARY INFORMATION WHICH, UNLESS OTHERWISE EXPRESSLY AGREED TO IN WRITING BY EURONORM, REMAINS THE SOLE PROPERTY OF EURONORM, AND MAY NOT BE DISCLOSED, COPIED, REDISTRIBUTED, RETRANSMITTED, PUBLISHED OR USED TO CREATE DERIVATIVE WORKS. 2013 EURONORM.