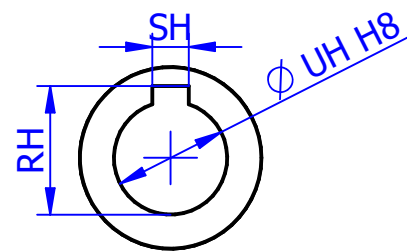
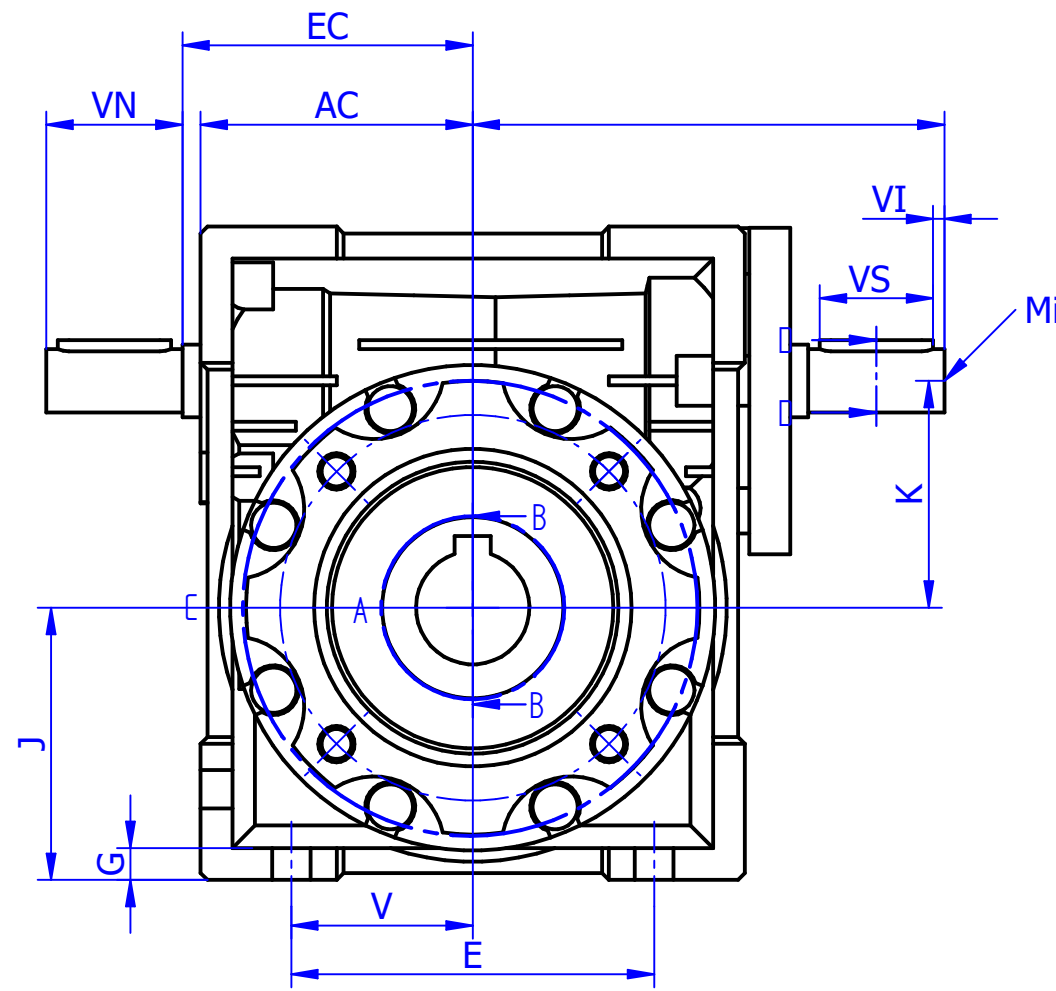
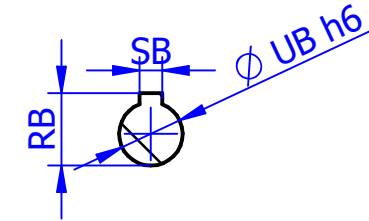


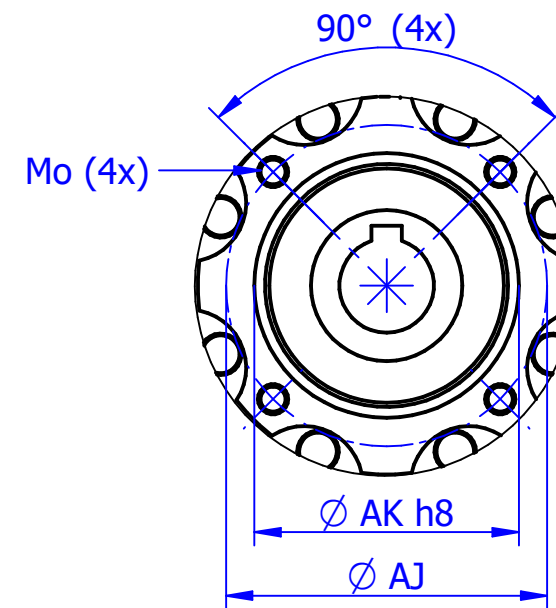
SECTION B-B



DETAIL A



SECTION D-D



DETAIL C

Bouwgrootte	General													Input shaft					Output shaft				Output flange				
	O	YE	YF	F	B	H	EC	AC	E	G	J	K	V	UB	RB	SB	Mi	VN	VI	VS	UH	RH	SB	Y	AK	AJ	Mo
30	97	27	44	44	56	6,5	45	40	54	5,5	40	30	27	9	10,2	3	-	20	2,5	15	14	16,3	3	63	55	65	M6
40	121	35	55	60	71	7	53	50	70	6,5	50	40	35	11	12,5	4	-	23	1,5	20	18	20,8	4	78	60	75	M6
50	144	40	64	70	85	8,5	64	60	80	7	60	50	40	14	16	5	M6	30	2,5	25	25	28,3	5	92	70	85	M8

DATE DRAWN 9-9-2021	DRAWING DESCRIPTION JRST(B) 30 - 50				
EURONORM DRIVE SYSTEMS		© EURONORM DRIVE SYSTEMS B.V., THIS DOCUMENT CONTAINS CONFIDENTIAL AND PROPRIETARY INFORMATION WHICH, UNLESS OTHERWISE EXPRESSLY AGREED TO IN WRITING BY EURONORM, REMAINS THE SOLE PROPERTY OF EURONORM, AND MAY NOT BE DISCLOSED, COPIED, REDISTRIBUTED, RETRANSMITTED, PUBLISHED OR USED TO CREATE DERIVATIVE WORKS.			
ARTICLE CODE	CUSTOMER XX	REVISION _00	DRAWN BY Dmar	CONFIRMED BY	
PROJECTION: 	THIRD PROJECTION	SCALE 1:1,67	FORMAT A3	DOCUMENT ID	SHEET: 1 / 1