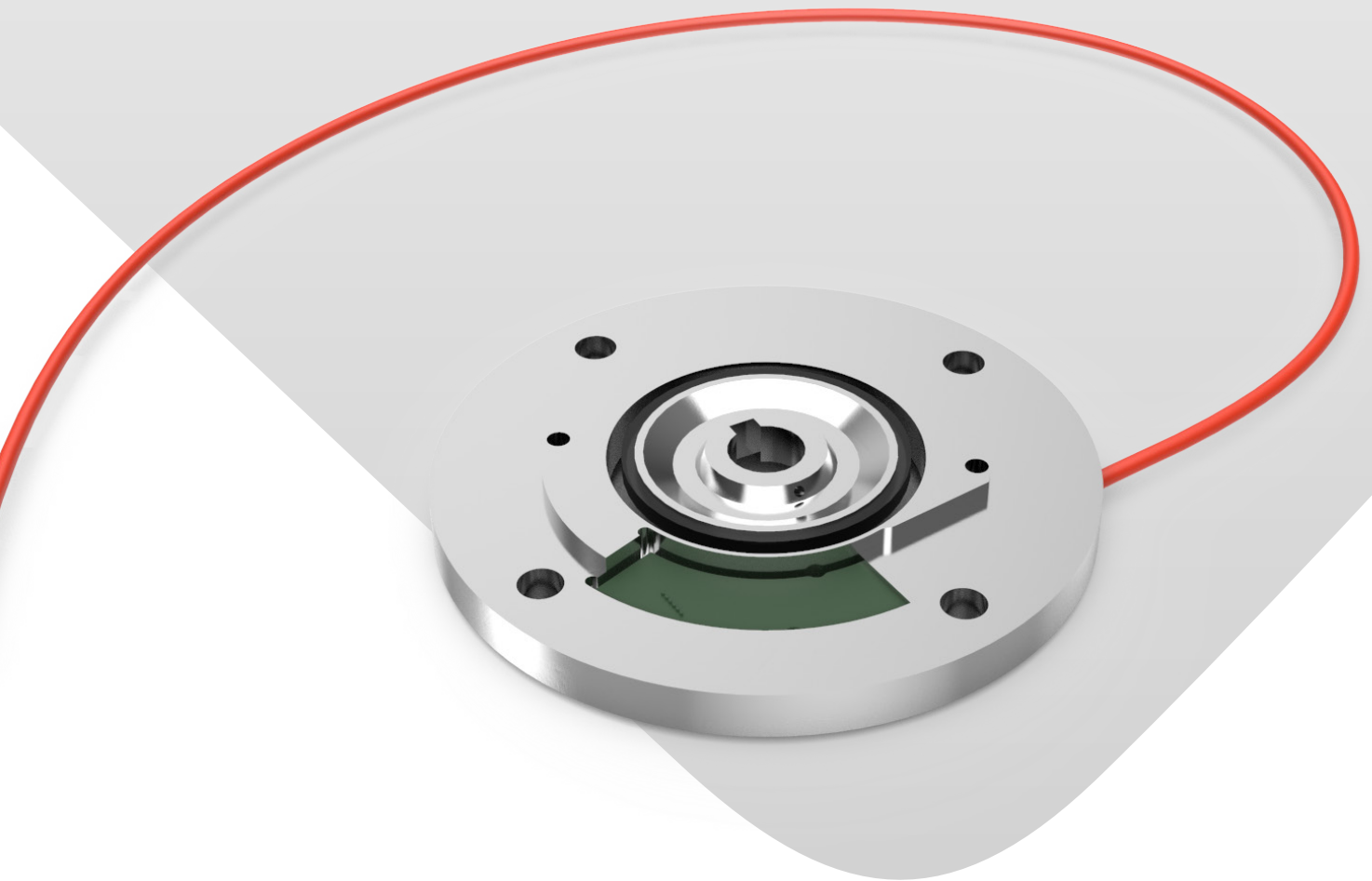


JRSB Encoders

Datasheet



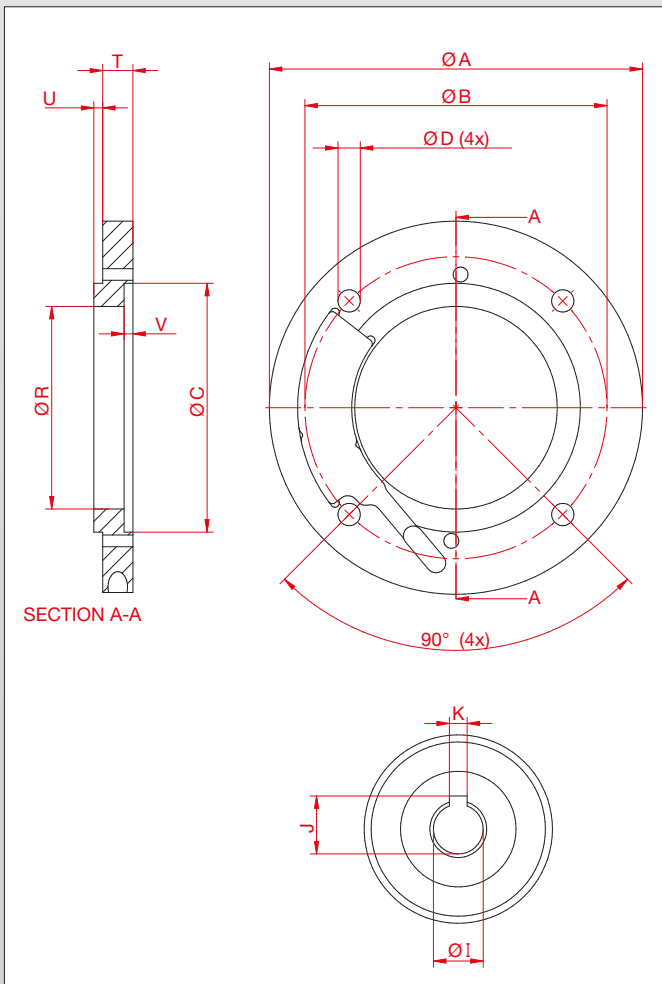
Encoders JRSB series, 60 & 1024 pulses

In speed controlled applications where a constant RPM or positional information is required the JRSB Magnetic incremental encoders provides the solution. The encoder is designed and produced by Euronorm according to the IEC standards, this means the encoder is easily installed between the IEC-motors and gear units.

| Product range and specifications | | |
|----------------------------------|--|--|
| | 1 - 64 Imp/rev | 1024 Imp/rev |
| IEC sizes | 63 -160, B14a and B5 | 63 -160, B14a and B5 |
| Material | Aluminium or Stainless steel | Aluminium or Stainless steel |
| Pulses per rotation | 64, 60, 32, 30, 16, 15, 10, 8, 6, 5, 4, 3, 2, 1 | 1024 |
| Channels | A, B | A, B |
| Supply voltage | 10-30V DC (optional 5V DC) | 5 - 30V DC |
| Cable | Ferrules, M8 or M12 connector, customizable length | Ferrules, M8 or M12 connector, customizable length |
| IP class | IP69k | IP69k |
| Operating temperature | -20 °C to +100 °C | -20 °C to +100 °C |
| Vibration resistance | Up to 200G | Up to 200G |

| Signal specifications | | |
|--------------------------------|----------------|--------------|
| Encoder series | 1 - 64 Imp/rev | 1024 Imp/rev |
| On / off dispensation | 40% and 60 % | 40% and 60% |
| Phase relation between A and B | 90° ± 15° | 90° ± 15° |
| Zero pulse (channel Z) | No | No |
| Max rpm with stable signals | 3000 rpm | 3000 rpm |

| Electrical specifications | | |
|---------------------------|------------------|------------------|
| Encoder series | 1 - 64 Imp/rev | 1024 Imp/rev |
| Output configuration | Totempole** | Totempole** |
| Current inrush | <1 A | <1 A |
| Output signal HTL | 0,2V / Ub - 1,0V | 0,2V / Ub - 1,0V |
| Output impedance | 470 Ω | 100 Ω |
| Supply current 5V | 30mA* | 90mA |
| Supply current 12V | 30mA | 40mA |
| Supply current 24V | 30mA | 25mA |



| Dimensions B14a type | | | | | | | |
|----------------------|------|------|------|------|---------|-------|-----|
| IEC size | 63 | 71 | 80 | 90 | 100/112 | 132 | 160 |
| A | 90 | 105 | 120 | 140 | 160 | 200 | n/a |
| B | 75 | 85 | 100 | 115 | 130 | 165 | n/a |
| D | 5 | 6,3 | 8 | 10 | 10 | 12 | n/a |
| J | 12,8 | 16,3 | 21,8 | 27,3 | 31,3 | 41,3 | n/a |
| I | 11G7 | 14G7 | 19G7 | 24G7 | 28G7 | 38G7 | n/a |
| K | 4 | 5 | 6 | 8 | 8 | 10 | n/a |
| T | 7,5 | 8,5 | 9 | 9 | 9,5 | 9,5 | n/a |
| U | 2,5 | 2,5 | 3 | 3 | 3,5 | 3,5 | n/a |
| V | 2,5 | 2,5 | 3,5 | 3,5 | 4 | 4 | n/a |
| R | 60H7 | 70H7 | 80H7 | 95H7 | 110H7 | 130H7 | n/a |
| C | 60j6 | 70j6 | 80j6 | 95j6 | 110j6 | 130j6 | n/a |

| Dimensions B5 type | | | | | | | |
|--------------------|------|-------|-------|-------|---------|-------|-------|
| IEC size | 63 | 71 | 80 | 90 | 100/112 | 132 | 160 |
| A | 140 | 160 | 200 | 200 | 250 | 300 | 350 |
| B | 115 | 130 | 165 | 165 | 215 | 265 | 300 |
| D | 10 | 10 | 12 | 12 | 14 | 14 | 16 |
| J | 12,8 | 16,3 | 21,8 | 27,3 | 31,3 | 41,3 | 45,3 |
| I | 11G7 | 14G7 | 19G7 | 24G7 | 28G7 | 38G7 | 42G7 |
| K | 4 | 5 | 6 | 8 | 8 | 10 | 12 |
| T | 9 | 9,5 | 9,5 | 9,5 | 10 | 10 | 19,5 |
| U | 3 | 3,5 | 3,5 | 3,5 | 4 | 4 | 5 |
| V | 3,5 | 4 | 4 | 4 | 4,5 | 4,5 | 5,5 |
| R | 95j6 | 110j6 | 130j6 | 130j6 | 180j6 | 230j6 | 250j6 |
| C | 95H7 | 110H7 | 130H7 | 130H7 | 180H7 | 230H7 | 250H7 |

| Wire color code | | |
|-----------------|----------------|---------------|
| UL/CSA cable | Standard cable | Wire function |
| Brown | Brown | 10-30 VDC |
| Yellow | Black | Channel A |
| White | White | Channel B |
| Green | Blue | 0 VDC |